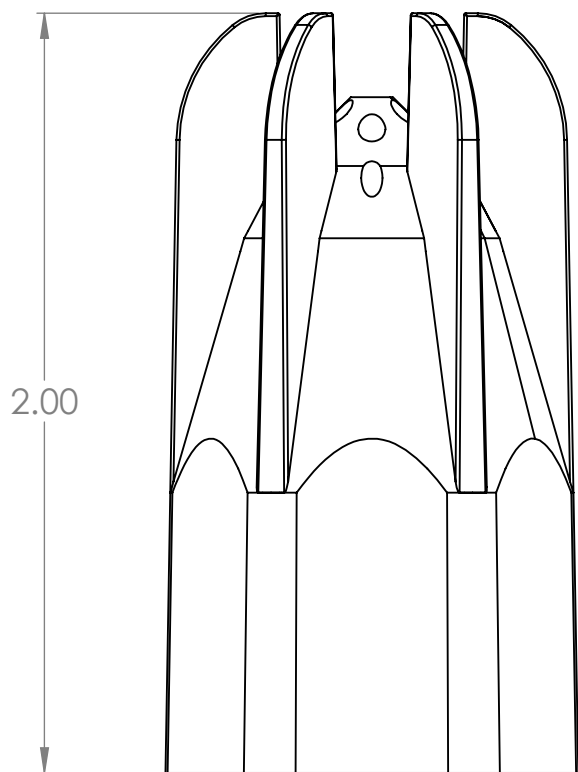
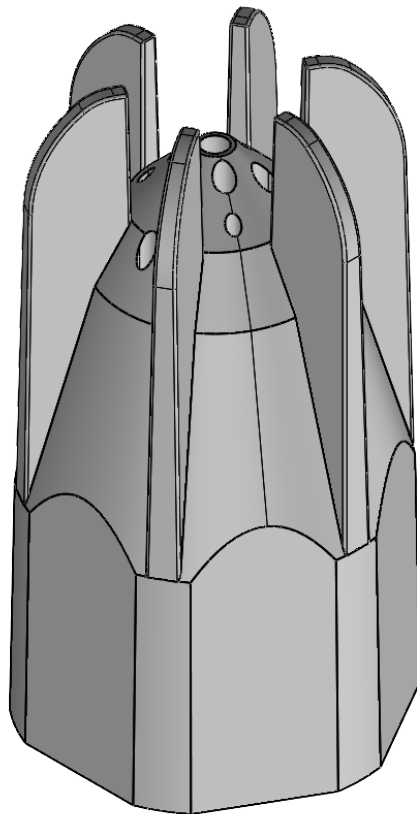
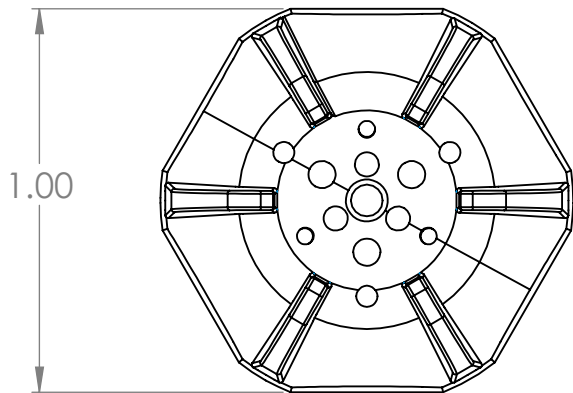


2

1



1/2" NPT/BSP (F) INLET

B

B

A

A

PROPRIETARY AND CONFIDENTIAL

THE INFORMATION CONTAINED IN THIS DRAWING IS THE SOLE PROPERTY OF NEXFLOW. ANY REPRODUCTION IN PART OR AS A WHOLE WITHOUT THE WRITTEN PERMISSION OF NEXFLOW IS PROHIBITED.

		DIMENSIONS ARE IN INCHES TOLERANCES: FRACTIONAL ± ANGULAR: MACH ± BEND ± TWO PLACE DECIMAL ± THREE PLACE DECIMAL ±	
		MATERIAL ZINC ALLOY	
NEXT ASSY	USED ON	FINISH	
APPLICATION		DO NOT SCALE DRAWING	

	NAME	DATE
DRAWN	AMMAD	APR/14/21
CHECKED		
ENG APPR.		
MFG APPR.		
Q.A.		

NEX FLOW™ AIR PRODUCTS CORP.
 10520 YOUNG STREET, UNIT 35B220, RICHMOND HILL, ON, L4C 3C7
 TEL: (416) 410-1313 & FAX: (416) 410-1806 www.nexflow.com

AIR MAG NOZZLE



SIZE	MODEL #:	REV.
A	47006AMF	1
SCALE:2:1	WEIGHT:	SHEET 1 OF 1

2

1