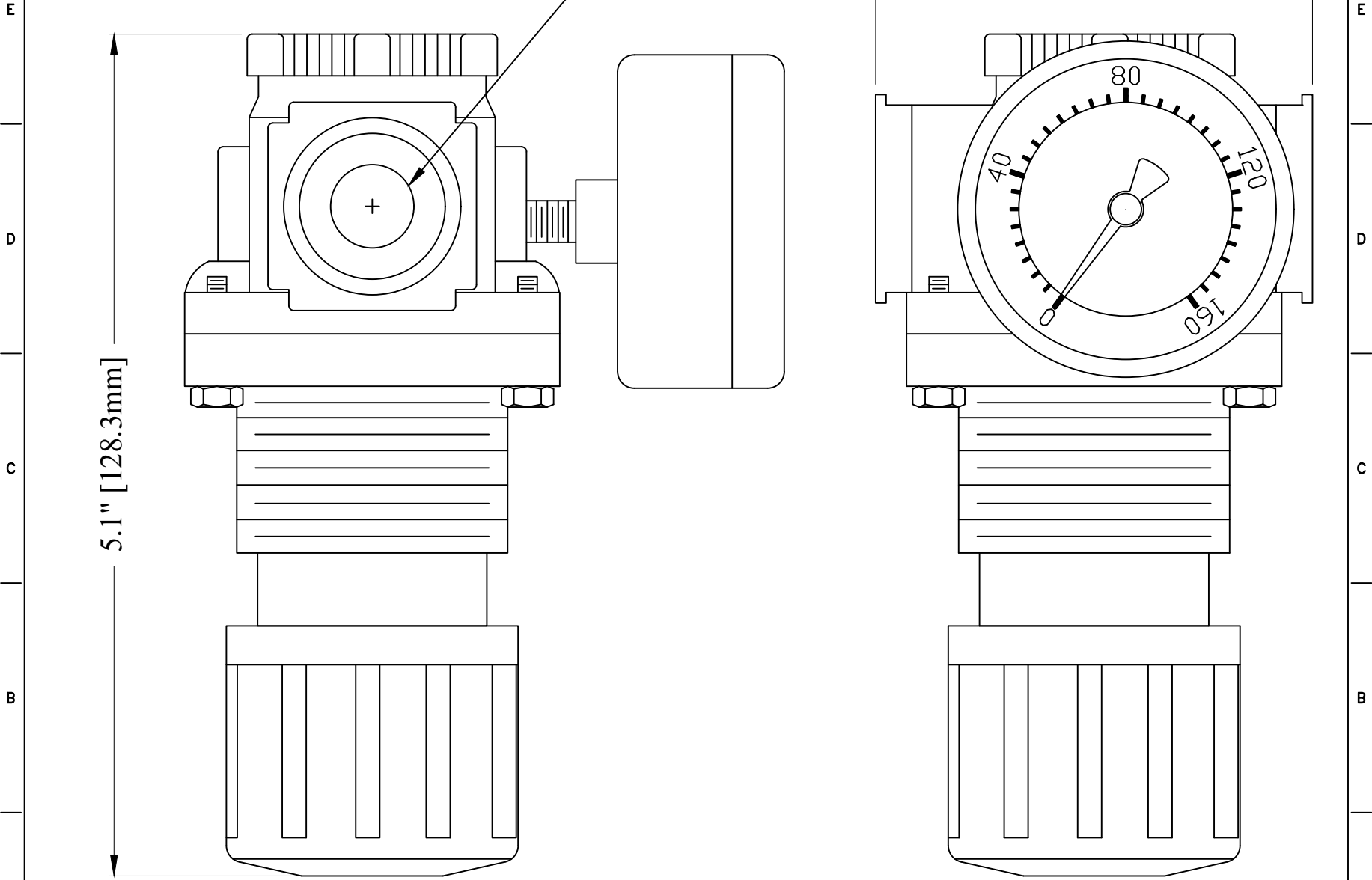


6 5 4 3 2 1

1/4" NPT PORT
TYP. (2)

2.6" [66.5mm]

5.1" [128.3mm]



<p>PROPRIETARY REPRODUCTION OR DISTRIBUTION WITHOUT WRITTEN CONSENT OF NEXFLOW™ IS PROHIBITED.</p>																																																																																																																																																																												
			<p>REQUIREMENTS—UNLESS OTHERWISE SPECIFIED</p> <p>GENERAL</p> <p>1. DIMS ARE IN INCHES(MM)</p> <p>2. DIMENSIONING AND TOLERANCING IN ACCORDANCE WITH ANSI Y14.5 (1982)</p> <p>3. MACHINE FINISH 125 MICRO INCH RMS</p> <p>4. INTERNAL RADI .015</p> <p>5. BREAK SHARP CORNERS .005 TO .015</p> <p>LIMITS</p> <p>1. LINEAR DIMS. .XXX = .005 .XX = .010 .X = .030</p> <p>2. ANGLES = ± 1/2°</p> <p>3. RUNOUT .010 TIR</p> <p>4. HOLES IN ACCORDANCE WITH AND 103B7</p>			<p>CONTRACT NUMBER —</p> <p>CLIENT —</p> <p>CONTRACTOR —</p>		<p>NEX FLOW AIR PRODUCTS CORP. 10520 YONGE STREET, UNIT 35B-220, RICHMOND HILL, ON L4C 3C7 TEL.: (416) 410-1313 & FAX: (416) 410-1806 www.nex-flow.com</p>				<p>TITLE</p> <p style="text-align: center; font-size: large;">PRESSURE REGULATOR WITH GAUGE</p>																																																																																																																																																																
			<table style="width: 100%; border-collapse: collapse;"> <tr> <td style="width: 5%;"></td> <td style="width: 5%;"></td> <td style="width: 5%;"></td> <td style="width: 5%;"></td> <td style="width: 5%;"></td> <td style="width: 5%;"></td> <td style="width: 5%;"></td> <td style="width: 5%;"></td> <td style="width: 5%;"></td> <td style="width: 5%;"></td> <td style="width: 5%;"></td> <td style="width: 5%;"></td> <td style="width: 5%;"></td> <td style="width: 5%;"></td> <td style="width: 5%;"></td> <td style="width: 5%;"></td> <td style="width: 5%;"></td> <td style="width: 5%;"></td> <td style="width: 5%;"></td> <td style="width: 5%;"></td> <td style="width: 5%;"></td> <td style="width: 5%;"></td> <td style="width: 5%;"></td> <td style="width: 5%;"></td> <td style="width: 5%;"></td> <td style="width: 5%;"></td> <td style="width: 5%;"></td> <td style="width: 5%;"></td> <td style="width: 5%;"></td> <td style="width: 5%;"></td> <td style="width: 5%;"></td> <td style="width: 5%;"></td> <td style="width: 5%;"></td> <td style="width: 5%;"></td> <td style="width: 5%;"></td> <td style="width: 5%;"></td> <td style="width: 5%;"></td> </tr> <tr> <td style="width: 5%;"></td> <td style="width: 5%;"></td> <td style="width: 5%;"></td> <td style="width: 5%;"></td> <td style="width: 5%;"></td> <td style="width: 5%;"></td> <td style="width: 5%;"></td> <td style="width: 5%;"></td> <td style="width: 5%;"></td> <td style="width: 5%;"></td> <td style="width: 5%;"></td> <td style="width: 5%;"></td> <td style="width: 5%;"></td> <td style="width: 5%;"></td> <td style="width: 5%;"></td> <td style="width: 5%;"></td> <td style="width: 5%;"></td> <td style="width: 5%;"></td> <td style="width: 5%;"></td> <td style="width: 5%;"></td> <td style="width: 5%;"></td> <td style="width: 5%;"></td> <td style="width: 5%;"></td> <td style="width: 5%;"></td> <td style="width: 5%;"></td> <td style="width: 5%;"></td> <td style="width: 5%;"></td> <td style="width: 5%;"></td> <td style="width: 5%;"></td> <td style="width: 5%;"></td> <td style="width: 5%;"></td> <td style="width: 5%;"></td> <td style="width: 5%;"></td> <td style="width: 5%;"></td> <td style="width: 5%;"></td> <td style="width: 5%;"></td> </tr> <tr> <td style="width: 5%;"></td> <td style="width: 5%;"></td> <td style="width: 5%;"></td> <td style="width: 5%;"></td> <td style="width: 5%;"></td> <td style="width: 5%;"></td> <td style="width: 5%;"></td> <td style="width: 5%;"></td> <td style="width: 5%;"></td> <td style="width: 5%;"></td> <td style="width: 5%;"></td> <td style="width: 5%;"></td> <td style="width: 5%;"></td> <td style="width: 5%;"></td> <td style="width: 5%;"></td> <td style="width: 5%;"></td> <td style="width: 5%;"></td> <td style="width: 5%;"></td> <td style="width: 5%;"></td> <td style="width: 5%;"></td> <td style="width: 5%;"></td> <td style="width: 5%;"></td> <td style="width: 5%;"></td> <td style="width: 5%;"></td> <td style="width: 5%;"></td> <td style="width: 5%;"></td> <td style="width: 5%;"></td> <td style="width: 5%;"></td> <td style="width: 5%;"></td> <td style="width: 5%;"></td> <td style="width: 5%;"></td> <td style="width: 5%;"></td> <td style="width: 5%;"></td> <td style="width: 5%;"></td> <td style="width: 5%;"></td> <td style="width: 5%;"></td> </tr> </table>																																																																																																																<table border="1" style="width: 100%; border-collapse: collapse;"> <tr> <td style="width: 5%;">DRAWN</td> <td style="width: 5%;">DATE</td> <td style="width: 5%;">SIZE</td> <td style="width: 5%;">CAGE CODE</td> <td style="width: 5%;">DWG NO</td> <td style="width: 5%;">RELEASE</td> <td style="width: 5%;">REV</td> </tr> <tr> <td style="width: 5%;">VRC</td> <td style="width: 5%;">08-04-11</td> <td style="width: 5%;">C</td> <td style="width: 5%;">—</td> <td style="width: 5%;">90008</td> <td style="width: 5%;">P</td> <td style="width: 5%;">1</td> </tr> <tr> <td style="width: 5%;">DESIGN</td> <td style="width: 5%;">CHECKED</td> <td style="width: 5%;">SCALE</td> <td style="width: 5%;">—</td> <td style="width: 5%;">—</td> <td style="width: 5%;">—</td> <td style="width: 5%;">—</td> </tr> <tr> <td style="width: 5%;">LES</td> <td style="width: 5%;">—</td> <td style="width: 5%;">1:1</td> <td style="width: 5%;">—</td> <td style="width: 5%;">—</td> <td style="width: 5%;">—</td> <td style="width: 5%;">—</td> </tr> <tr> <td style="width: 5%;">PROJECT</td> <td style="width: 5%;">G.A.</td> <td style="width: 5%;">—</td> <td style="width: 5%;">—</td> <td style="width: 5%;">—</td> <td style="width: 5%;">—</td> <td style="width: 5%;">—</td> </tr> <tr> <td style="width: 5%;">STRESS</td> <td style="width: 5%;">MANUFACTURING</td> <td style="width: 5%;">—</td> <td style="width: 5%;">—</td> <td style="width: 5%;">—</td> <td style="width: 5%;">—</td> <td style="width: 5%;">—</td> </tr> <tr> <td style="width: 5%;">THERMAL</td> <td style="width: 5%;">MATERIALS</td> <td style="width: 5%;">—</td> <td style="width: 5%;">—</td> <td style="width: 5%;">—</td> <td style="width: 5%;">—</td> <td style="width: 5%;">—</td> </tr> <tr> <td style="width: 5%;">MECHANISM</td> <td style="width: 5%;">ELECTRICAL</td> <td style="width: 5%;">—</td> <td style="width: 5%;">—</td> <td style="width: 5%;">—</td> <td style="width: 5%;">—</td> <td style="width: 5%;">—</td> </tr> </table>		DRAWN	DATE	SIZE	CAGE CODE	DWG NO	RELEASE	REV	VRC	08-04-11	C	—	90008	P	1	DESIGN	CHECKED	SCALE	—	—	—	—	LES	—	1:1	—	—	—	—	PROJECT	G.A.	—	—	—	—	—	STRESS	MANUFACTURING	—	—	—	—	—	THERMAL	MATERIALS	—	—	—	—	—	MECHANISM	ELECTRICAL	—	—	—	—	—
DRAWN	DATE	SIZE	CAGE CODE	DWG NO	RELEASE	REV																																																																																																																																																																						
VRC	08-04-11	C	—	90008	P	1																																																																																																																																																																						
DESIGN	CHECKED	SCALE	—	—	—	—																																																																																																																																																																						
LES	—	1:1	—	—	—	—																																																																																																																																																																						
PROJECT	G.A.	—	—	—	—	—																																																																																																																																																																						
STRESS	MANUFACTURING	—	—	—	—	—																																																																																																																																																																						
THERMAL	MATERIALS	—	—	—	—	—																																																																																																																																																																						
MECHANISM	ELECTRICAL	—	—	—	—	—																																																																																																																																																																						
			<table border="1" style="width: 100%; border-collapse: collapse;"> <tr> <td style="width: 5%;"></td> <td style="width: 5%;"></td> <td style="width: 5%;"></td> <td style="width: 5%;"></td> <td style="width: 5%;"></td> <td style="width: 5%;"></td> <td style="width: 5%;"></td> <td style="width: 5%;"></td> <td style="width: 5%;"></td> <td style="width: 5%;"></td> <td style="width: 5%;"></td> <td style="width: 5%;"></td> <td style="width: 5%;"></td> <td style="width: 5%;"></td> <td style="width: 5%;"></td> <td style="width: 5%;"></td> <td style="width: 5%;"></td> <td style="width: 5%;"></td> <td style="width: 5%;"></td> <td style="width: 5%;"></td> <td style="width: 5%;"></td> <td style="width: 5%;"></td> <td style="width: 5%;"></td> <td style="width: 5%;"></td> <td style="width: 5%;"></td> <td style="width: 5%;"></td> <td style="width: 5%;"></td> <td style="width: 5%;"></td> <td style="width: 5%;"></td> <td style="width: 5%;"></td> <td style="width: 5%;"></td> <td style="width: 5%;"></td> <td style="width: 5%;"></td> <td style="width: 5%;"></td> <td style="width: 5%;"></td> <td style="width: 5%;"></td> <td style="width: 5%;"></td> </tr> <tr> <td style="width: 5%;"></td> <td style="width: 5%;"></td> <td style="width: 5%;"></td> <td style="width: 5%;"></td> <td style="width: 5%;"></td> <td style="width: 5%;"></td> <td style="width: 5%;"></td> <td style="width: 5%;"></td> <td style="width: 5%;"></td> <td style="width: 5%;"></td> <td style="width: 5%;"></td> <td style="width: 5%;"></td> <td style="width: 5%;"></td> <td style="width: 5%;"></td> <td style="width: 5%;"></td> <td style="width: 5%;"></td> <td style="width: 5%;"></td> <td style="width: 5%;"></td> <td style="width: 5%;"></td> <td style="width: 5%;"></td> <td style="width: 5%;"></td> <td style="width: 5%;"></td> <td style="width: 5%;"></td> <td style="width: 5%;"></td> <td style="width: 5%;"></td> <td style="width: 5%;"></td> <td style="width: 5%;"></td> <td style="width: 5%;"></td> <td style="width: 5%;"></td> <td style="width: 5%;"></td> <td style="width: 5%;"></td> <td style="width: 5%;"></td> <td style="width: 5%;"></td> <td style="width: 5%;"></td> <td style="width: 5%;"></td> <td style="width: 5%;"></td> </tr> <tr> <td style="width: 5%;"></td> <td style="width: 5%;"></td> <td style="width: 5%;"></td> <td style="width: 5%;"></td> <td style="width: 5%;"></td> <td style="width: 5%;"></td> <td style="width: 5%;"></td> <td style="width: 5%;"></td> <td style="width: 5%;"></td> <td style="width: 5%;"></td> <td style="width: 5%;"></td> <td style="width: 5%;"></td> <td style="width: 5%;"></td> <td style="width: 5%;"></td> <td style="width: 5%;"></td> <td style="width: 5%;"></td> <td style="width: 5%;"></td> <td style="width: 5%;"></td> <td style="width: 5%;"></td> <td style="width: 5%;"></td> <td style="width: 5%;"></td> <td style="width: 5%;"></td> <td style="width: 5%;"></td> <td style="width: 5%;"></td> <td style="width: 5%;"></td> <td style="width: 5%;"></td> <td style="width: 5%;"></td> <td style="width: 5%;"></td> <td style="width: 5%;"></td> <td style="width: 5%;"></td> <td style="width: 5%;"></td> <td style="width: 5%;"></td> <td style="width: 5%;"></td> <td style="width: 5%;"></td> <td style="width: 5%;"></td> <td style="width: 5%;"></td> </tr> </table>																																																																																																																																																																									

6 5 4 3 2 1