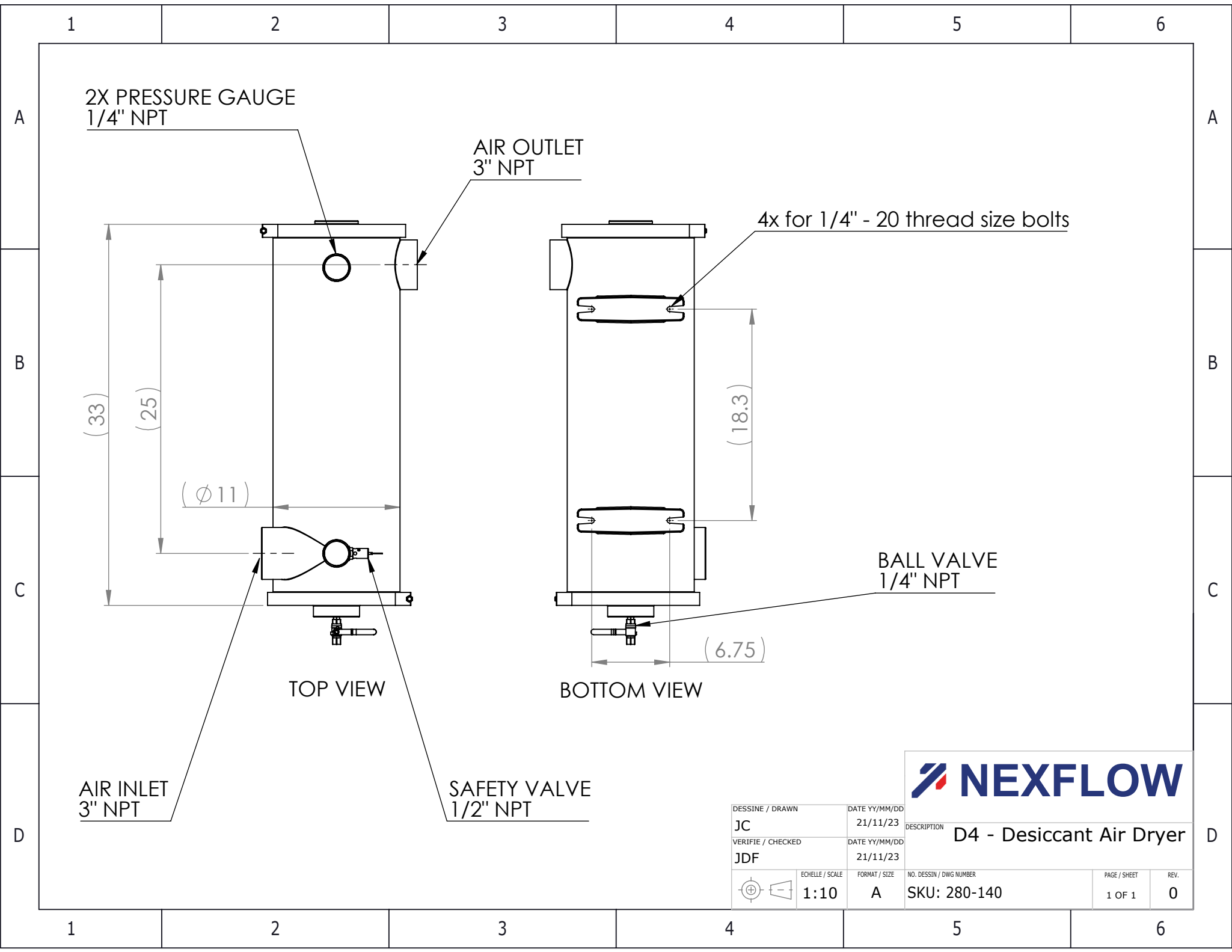
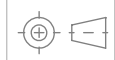


DESSINE / DRAWN JC	DATE YY/MM/DD 21/11/23	DESCRIPTION D1 - Desiccant Air Dryer	PAGE / SHEET 1 OF 1	REV. 0
VERIFIE / CHECKED JDF	DATE YY/MM/DD 21/11/23			
ECHELLE / SCALE 1:5		FORMAT / SIZE A	NO. DESSIN / DWG NUMBER SKU: 280-110	



DESCRIPTION **D4 - Desiccant Air Dryer**

DESSINE / DRAWN JC	DATE YY/MM/DD 21/11/23
VERIFIE / CHECKED JDF	DATE YY/MM/DD 21/11/23



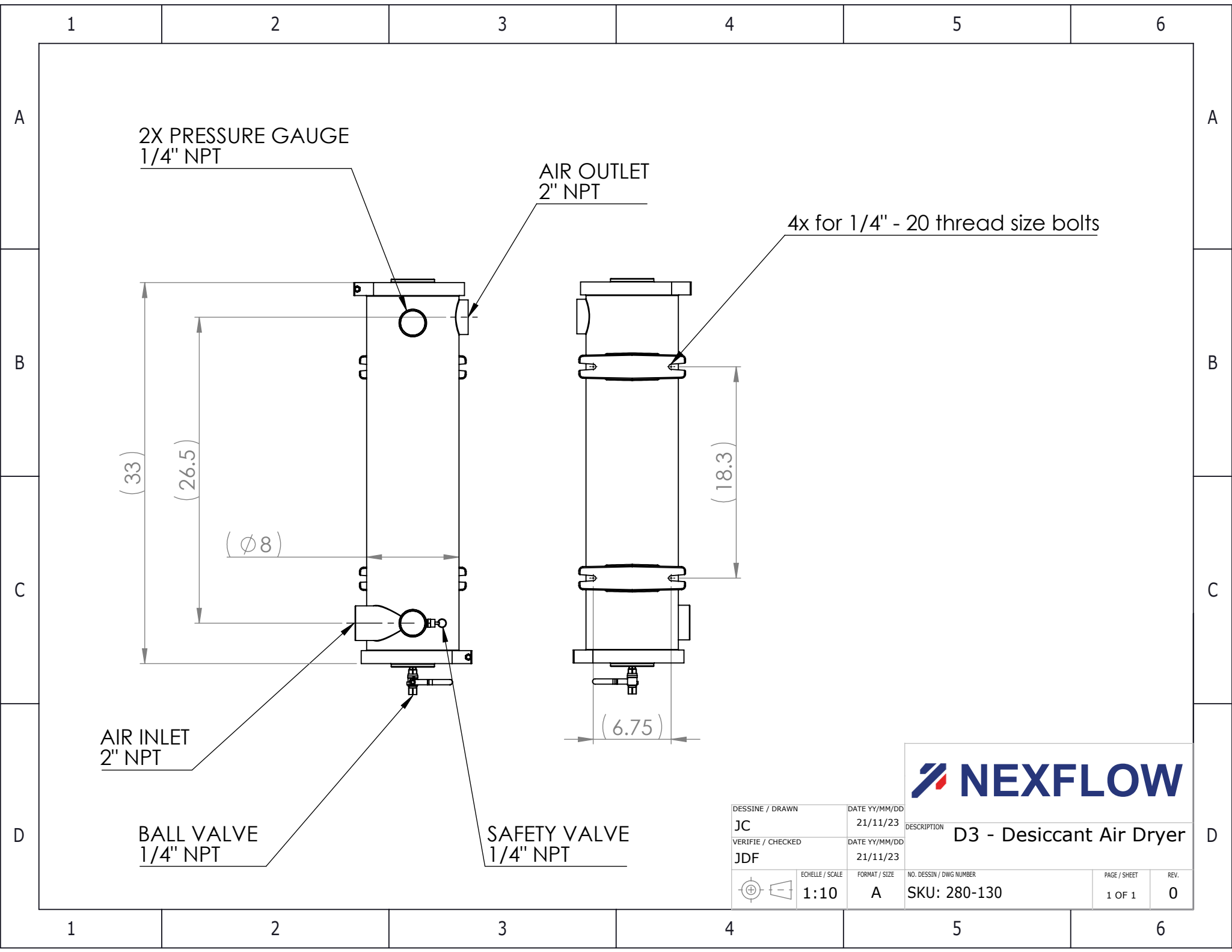
ECHELLE / SCALE **1:10**

FORMAT / SIZE **A**

NO. DESSIN / DWG NUMBER
SKU: 280-140

PAGE / SHEET
1 OF 1

REV.
0



DESSINE / DRAWN
JC
DATE YY/MM/DD
21/11/23

VERIFIE / CHECKED
JDF
DATE YY/MM/DD
21/11/23

DESCRIPTION
D3 - Desiccant Air Dryer



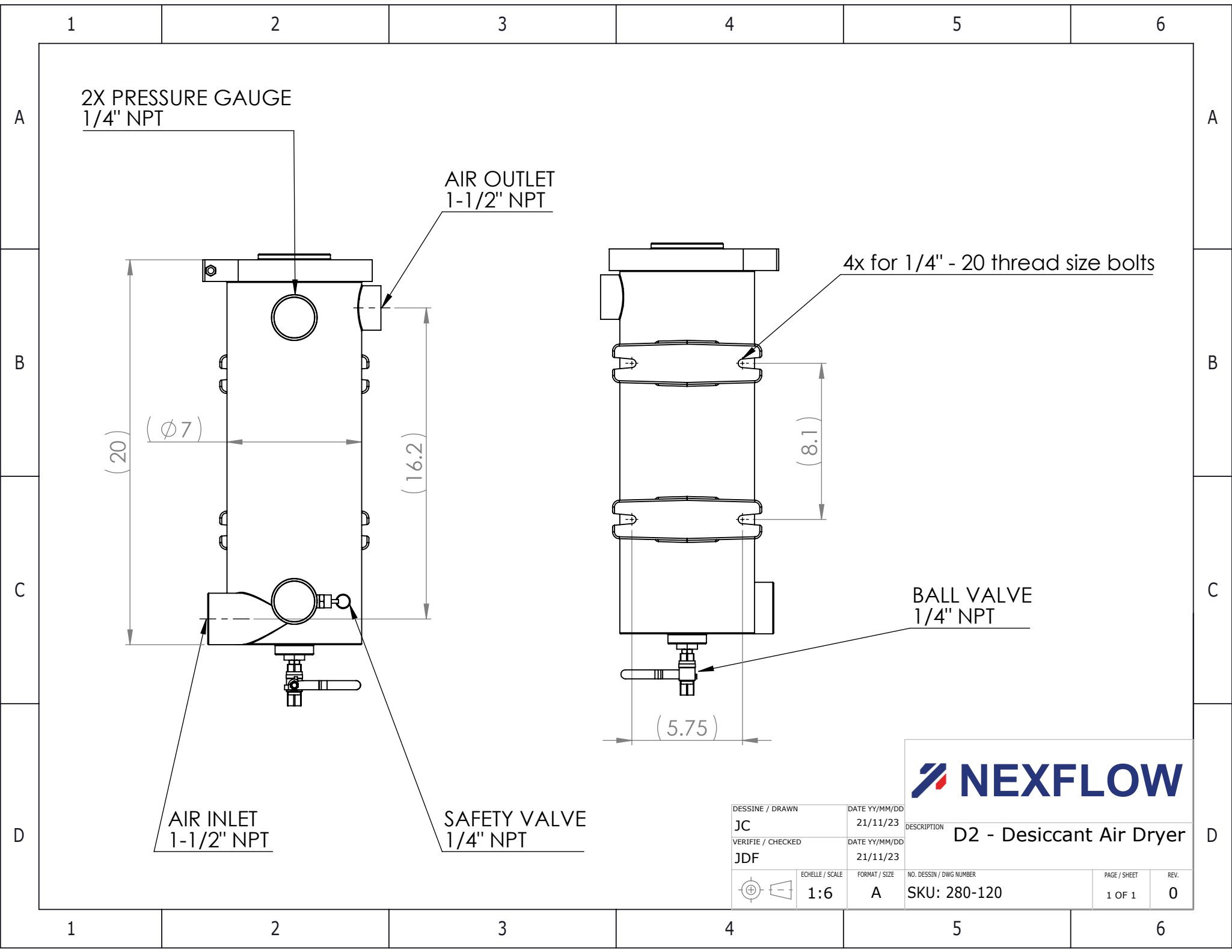
ECHELLE / SCALE
1:10

FORMAT / SIZE
A

NO. DESSIN / DWG NUMBER
SKU: 280-130

PAGE / SHEET
1 OF 1

REV.
0



DESSINE / DRAWN JC	DATE YY/MM/DD 21/11/23	DESCRIPTION D2 - Desiccant Air Dryer	PAGE / SHEET 1 OF 1	REV. 0
VERIFIE / CHECKED JDF	DATE YY/MM/DD 21/11/23			
ECHELLE / SCALE 1:6		FORMAT / SIZE A	NO. DESSIN / DWG NUMBER SKU: 280-120	