

4

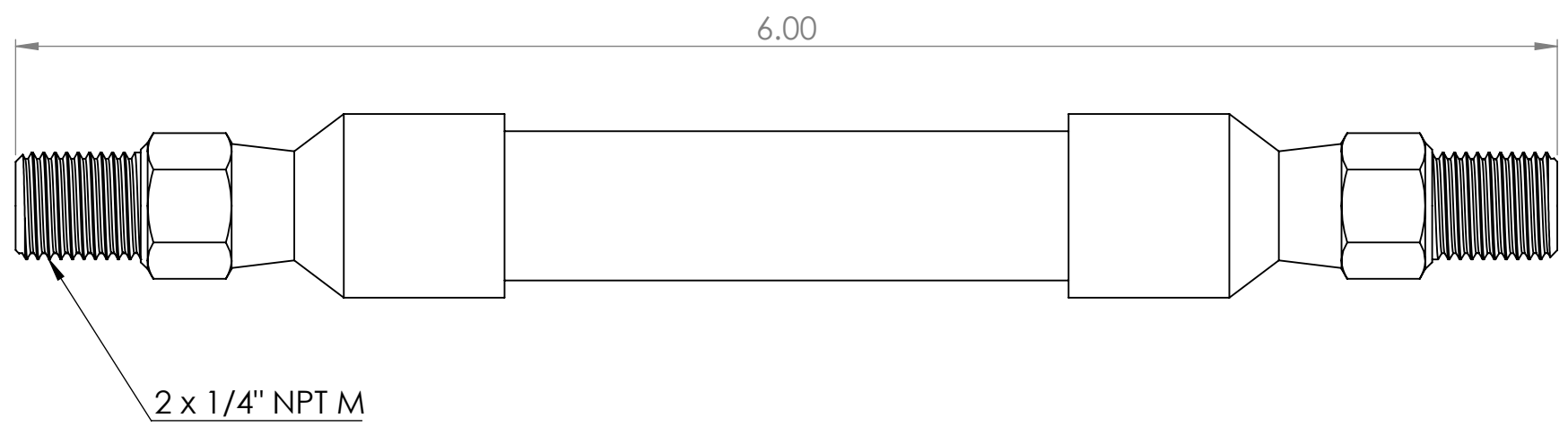
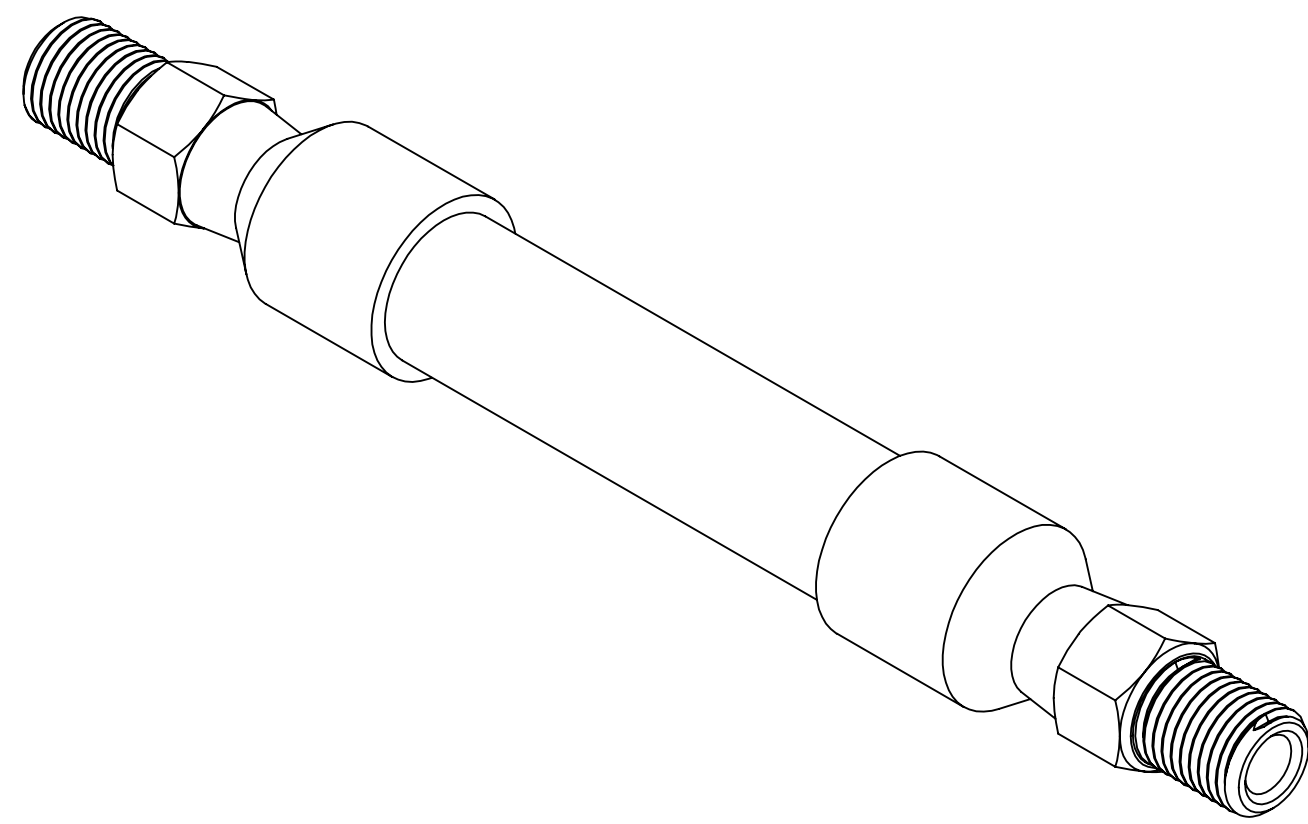
3

2

1

B

B



A

A

PROPRIETARY AND CONFIDENTIAL

THE INFORMATION CONTAINED IN THIS DRAWING IS THE SOLE PROPERTY OF NEXFLOW. ANY REPRODUCTION IN PART OR AS A WHOLE WITHOUT THE WRITTEN PERMISSION OF NEXFLOW IS PROHIBITED.

		UNLESS OTHERWISE SPECIFIED:	NAME	DATE
		DIMENSIONS ARE IN INCHES	DRAWN	AMMAD OCT/28/21
		TOLERANCES:	CHECKED	
		FRACTIONAL ±	ENG APPR.	
		ANGULAR: MACH ± BEND ±	MFG APPR.	
		TWO PLACE DECIMAL ±	Q.A.	
		THREE PLACE DECIMAL ±		
		INTERPRET GEOMETRIC TOLERANCING PER:		
		MATERIAL		
NEXT ASSY	USED ON	FINISH		
APPLICATION		DO NOT SCALE DRAWING		

NEX FLOW™ AIR PRODUCTS CORP.
 10520 YOUNG STREET, UNIT 35B220, RICHMOND HILL, ON, L4C 3C7
 TEL: (416) 410-1313 & FAX: (416) 410-1806 www.nexflow.com

TITLE:
6" EXTRA STIFF RIGID FLEX HOSE

SIZE	MODEL #:	REV
B	6RF-ES	1

SCALE: 2:1.5 WEIGHT: SHEET 1 OF 1

4

3

2

1