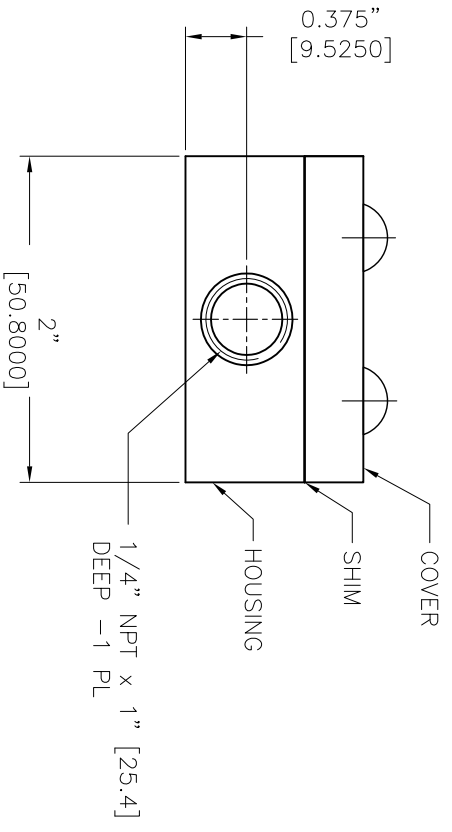
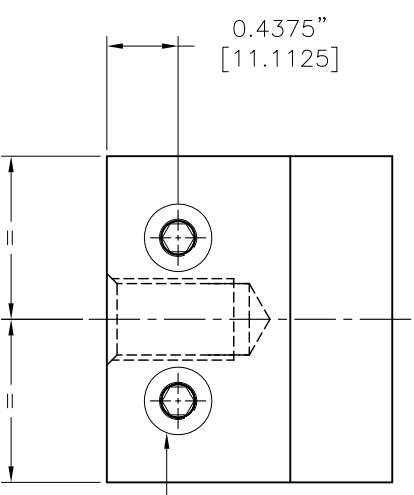
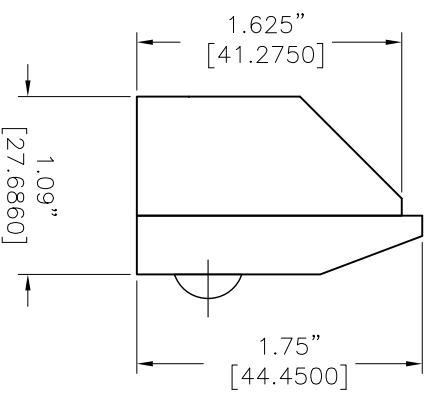


- NOTES:
- 1 ALL DIMENSIONS SHOWN ARE FINISH OPERATIONAL DIMENSIONS WHICH INCLUDE RESIDUAL COATINGS UNLESS OTHERWISE SPECIFIED.
 - 2 PART TO BE PACKED PROPERLY TO AVOID ANY DAMAGE WHILE SHIPPING & HANDLING.
 - 3 ALL HORIZONTAL DIMENSIONS ARE SYMMETRICAL ABOUT CENTER LINE UNLESS OTHERWISE SPECIFIED.



MATERIAL
SS 304

REQUIREMENTS-LIMITS OTHERWISE SPECIFIED	GENERAL	CONTRACT NUMBER	-
1. DIMS ARE IN INCHES (MM)		CLIENT	-
2. DIMENSIONING AND TOLERANCING IN ACCORDANCE WITH ASME Y14.5 (1994)		CONTRACTOR	-
3. HORIZONTAL DIMS TO MICRO INCH UNLESS OTHERWISE SPECIFIED		DRAWN DATE	28/10/2013
4. BREAK SHARP CORNERS .005 TO .015 UNLESS OTHERWISE SPECIFIED		STEP/HILL	ASHISH
	LIMITS	PROJECT	CA
1. LINEAR DIMS		MANUFACTURING	-
2. ANGLES	± .010	THERMAL	-
3. RADIUS	± .010	MATERIALS	-
4. HOLES IN ACCORDANCE WITH AND 1097		FINISH	-
		WEIGHT	-
		NET WEIGHT	-
		USED ON	-
		NOT FOR PART NO	-
		PART NO	-

FINISH	-
WEIGHT ASSEMBLY	-
USED ON	-
NOT FOR PART NO	-
PART NO	-

NEX FLOW AIR PRODUCTS CORP.
10520 YONCE STREET, UNIT 358-220, RICHMOND HILL, ON L4C 3C7
TEL: (416) 410-1315 & FAX: (416) 410-1805 WWW.NEX-FLOW.COM

OUTLINE DRAWING OF
2" X-STREAM AIR BLADE AIR KNIFE

SCALE 1:1

CAD NO YAKS-02

SHEET 1 OF 1