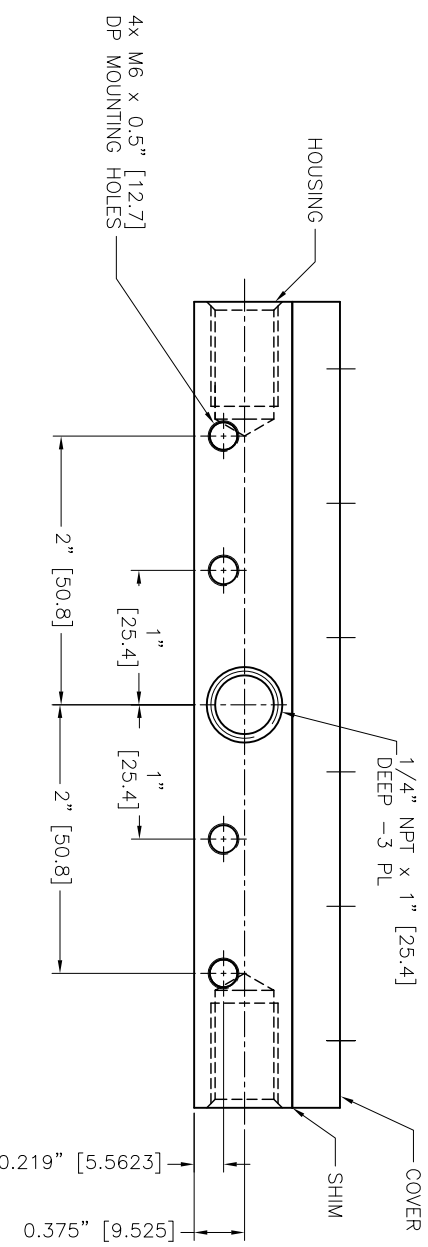
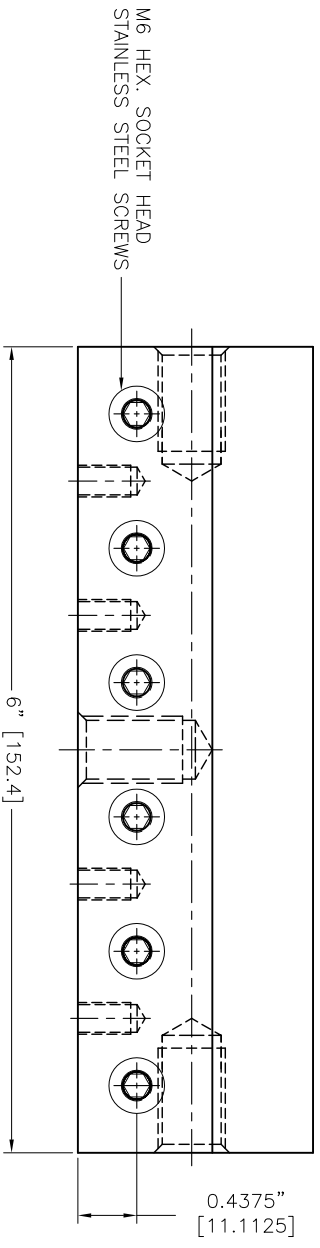
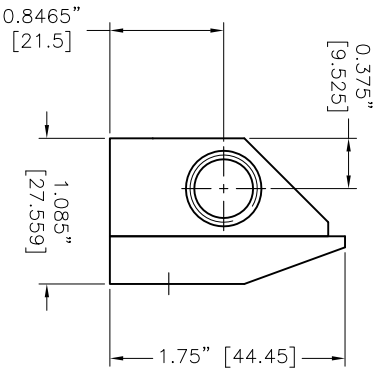


- NOTES:
- 1 ALL DIMENSIONS SHOWN ARE FINISH OPERATIONAL DIMENSIONS WHICH INCLUDE RESIDUAL COATINGS UNLESS OTHERWISE SPECIFIED.
 - 2 PART TO BE PACKED PROPERLY TO AVOID ANY DAMAGE WHILE SHIPPING & HANDLING.
 - 3 ALL HORIZONTAL DIMENSIONS ARE SYMMETRICAL ABOUT CENTER LINE UNLESS OTHERWISE SPECIFIED.



TEMP AND PROJECTION		REQUIRED FINISH		CONTRACT NUMBER		NEX FLOW AIR PRODUCTS CORP.	
ALUMINIUM		OTHER SPECIFIED		CLIENT		10520 YONCE STREET, UNIT 35B-220, RICHMOND HILL, ON L4C 3C7	
MATERIAL		CONTRACTOR		DATE		TEL: (416) 410-1313 & FAX: (416) 410-1806 www.nf-aip.com	
FINISH		DRAWN		DATE		TITLE	
-		S.P./T.L.		27/11/2013		6" X-STREAM AIR BLADE AIR KNIFE	
PART NO		DESIGN		QA		SIZE	
-		-		-		DATE CODE	
NEXT ASSEMBLY		PRODUCT		MANUFACTURING		DWG NO	
-		-		-		10006X	
USED ON		LIMITS		WARRANTY		CD NO	
-		1. LINEAR DIMS: ± 0.05		REVISIONS		XAK-06	
QTY PER PART NO		2. ANGLES: ± 1/2°		ELECTRICAL		SHEET	
-		3. RADIUS: ± 0.10		-		1 OF 1	
QTY PER ASSEMBLY		4. HOLES IN ACCORDANCE WITH AND 10387		-		-	

NEX FLOW AIR PRODUCTS CORP.
 10520 YONCE STREET, UNIT 35B-220, RICHMOND HILL, ON L4C 3C7
 TEL: (416) 410-1313 & FAX: (416) 410-1806 www.nf-aip.com

TITLE
 6" X-STREAM AIR BLADE AIR KNIFE

SIZE
 DATE CODE

DWG NO
 10006X

8 7 6 5 4 3 2 1