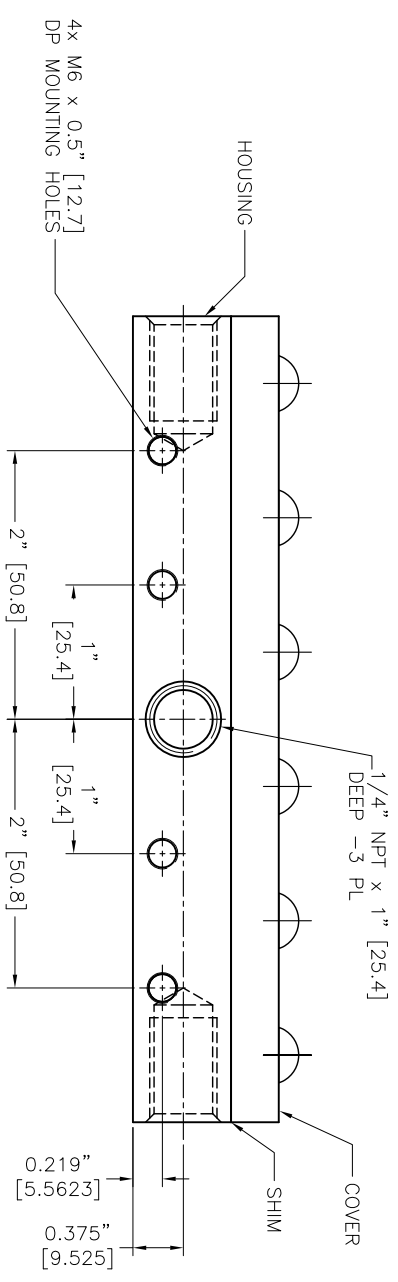
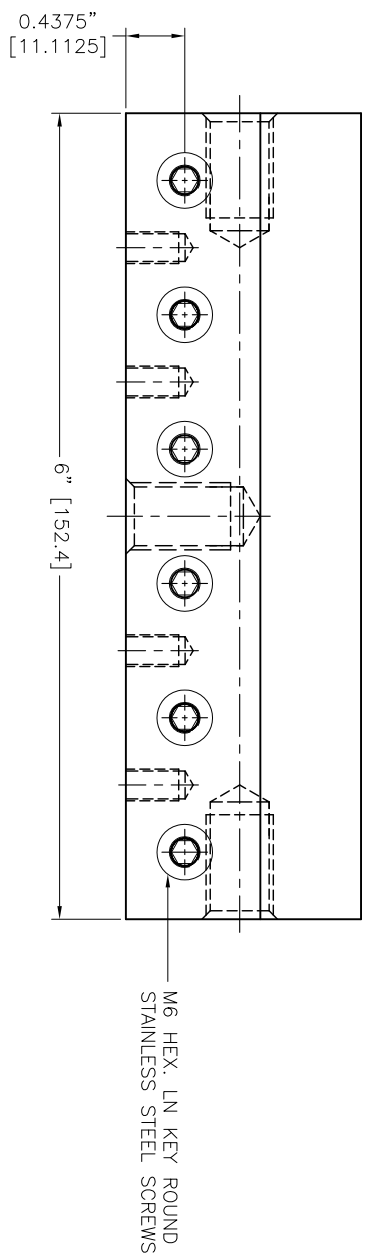
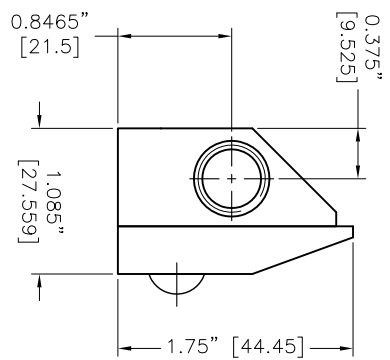


- NOTES:
- 1 ALL DIMENSIONS SHOWN ARE FINISH OPERATIONAL DIMENSIONS WHICH INCLUDE RESIDUAL COATINGS UNLESS OTHERWISE SPECIFIED.
 - 2 PART TO BE PACKED PROPERLY TO AVOID ANY DAMAGE WHILE SHIPPING & HANDLING.
 - 3 ALL HORIZONTAL DIMENSIONS ARE SYMMETRICAL ABOUT CENTER LINE UNLESS OTHERWISE SPECIFIED.



TEMPERATURE PROTECTION 		REQUIRED FINISHES OTHER FINISHES SPECIFIED 1. FINISH AS PER MATERIAL SPECIFICATION 2. DIMENSIONING AND TOLERANCING IN ACCORDANCE WITH ANSI Y14.5 (1982) 3. MAKE FINISH 125 MICRO INCH RMS & BREAK SHARP CORNERS .005 TO .015 LIMITS 4. HOLES IN ACCORDANCE WITH ANSI Y14.5 (1982)	
MATERIAL SS 304		CONTRACT NUMBER CLIENT CONTRACTOR DRAWN DESIGNED CHECKED DATE 27/11/2013	
FINISH -		DATE 27/11/2013	
PART NO -		REV 100006XS	
NEXT ASSEMBLY -		SCALE 1:1	
USED ON SS3		CDR NO XAKS-08	
QTY PER PART NO -		SHEET 1 OF 1	

NEX FLOW AIR PRODUCTS CORP.
 10520 YONCE STREET, UNIT 259-220 RICHMOND HILL, ON L4C 3C7
 TEL: (416) 410-1313 & FAX: (416) 410-1806 WWW.NEX-FLOW.COM

OUTLINE DRAWING OF
 6" X-STREAM AIR BLADE AIR KNIFE