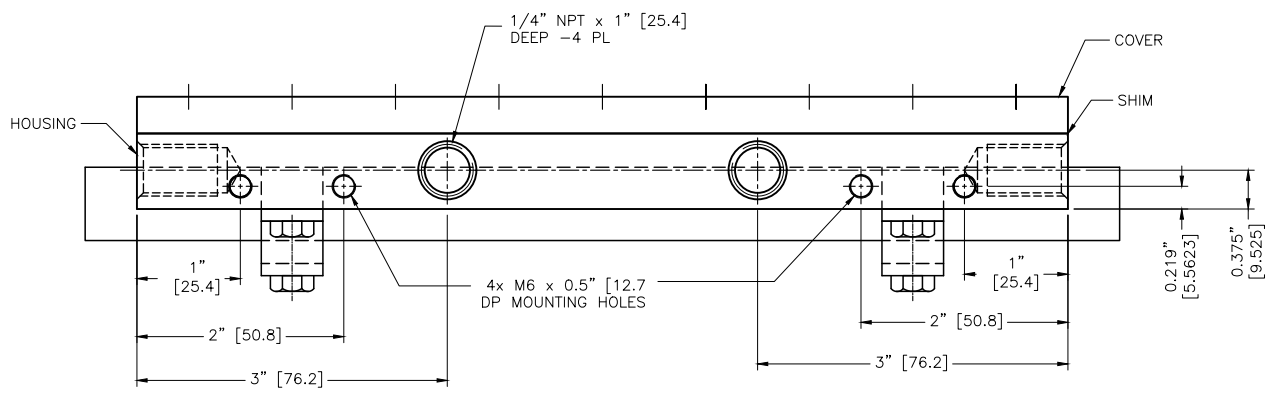
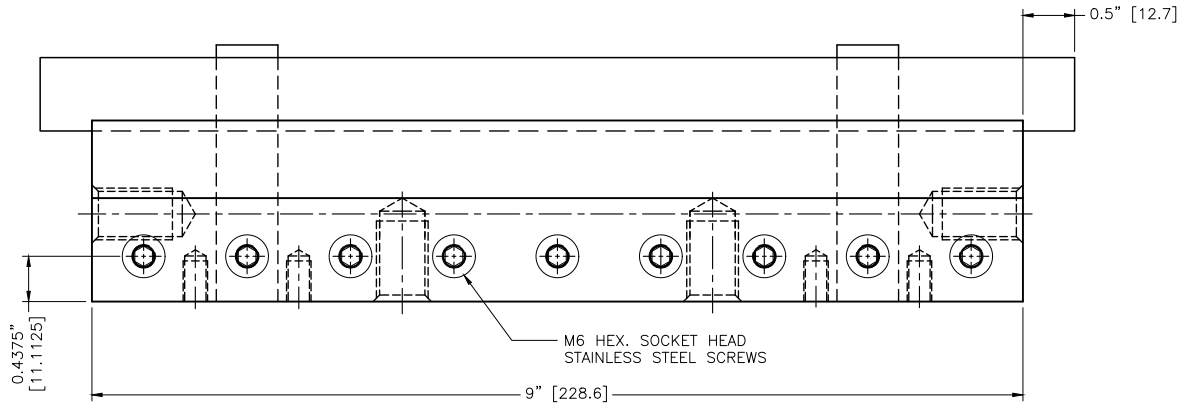
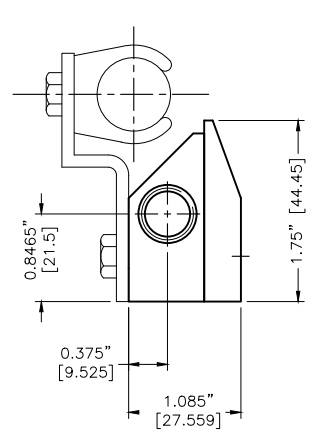


NOTES:

- 1 ALL DIMENSIONS SHOWN ARE FINISH OPERATIONAL DIMENSIONS WHICH INCLUDE RESIDUAL COATINGS UNLESS OTHERWISE SPECIFIED.
- 2 PART TO BE PACKED PROPERLY TO AVOID ANY DAMAGE WHILE SHIPPING & HANDLING.
- 3 ALL HORIZONTAL DIMENSIONS ARE SYMMETRICAL ABOUT CENTER LINE UNLESS OTHERWISE SPECIFIED.



PROPRIETARY
 REPRODUCTION OR DISTRIBUTION
 WITHOUT WRITTEN CONSENT OF
 NEXFLOW™ IS PROHIBITED.

THIRD ANGLE PROJECTION		-	-	-	-	REQUIREMENTS—UNLESS OTHERWISE SPECIFIED	CONTRACT NUMBER	NEX FLOW AIR PRODUCTS CORP. 10520 YONGE STREET, UNIT 358-220, RICHMOND HILL, ON L4C 3C7 TEL: (416) 410-1313 & FAX: (416) 410-1806 www.nex-flow.com					
		-	-	-	-	GENERAL	CLIENT	TITLE					
MATERIAL	ALUMINIUM	-	-	-	-	1. DIMS ARE IN INCHES (MM) 2. DIMENSIONING AND TOLERANCING IN ACCORDANCE WITH ANSI Y14.5 (1982) 3. MACHINE FINISH 125 MICRO INCH RMS 4. INTERNAL RADII .015 5. BREAK SHARP CORNERS .005 TO .015	CONTRACTOR	DATE	OUTLINE DRAWING OF				
FINISH	-	-	-	-	-	LIMITS	PROJECT	10/04/2021	9" X-STREAM AIR BLADE AIR KNIFE				
NEXT ASSEMBLY	USED ON	QTY PER ASSY	PART NO	-	-	1. LINEAR DIMS. XX = .005 XX = .010 XX = .030 2. ANGLES = ± 1/2" 3. RUNOUT .010 TIR 4. HOLES IN ACCORDANCE WITH AND 10387	MANUFACTURING	SCALE	CAGE CODE	DWG NO	RELEASE	REV	
PART NO	-	-	-	-	-	MECHANISM	ELECTRICAL	1:1	-	15009X - 16009X	-	-	
								SCALE	1:1	CAD NO	-	SHEET	1 OF 1