

4

3

2

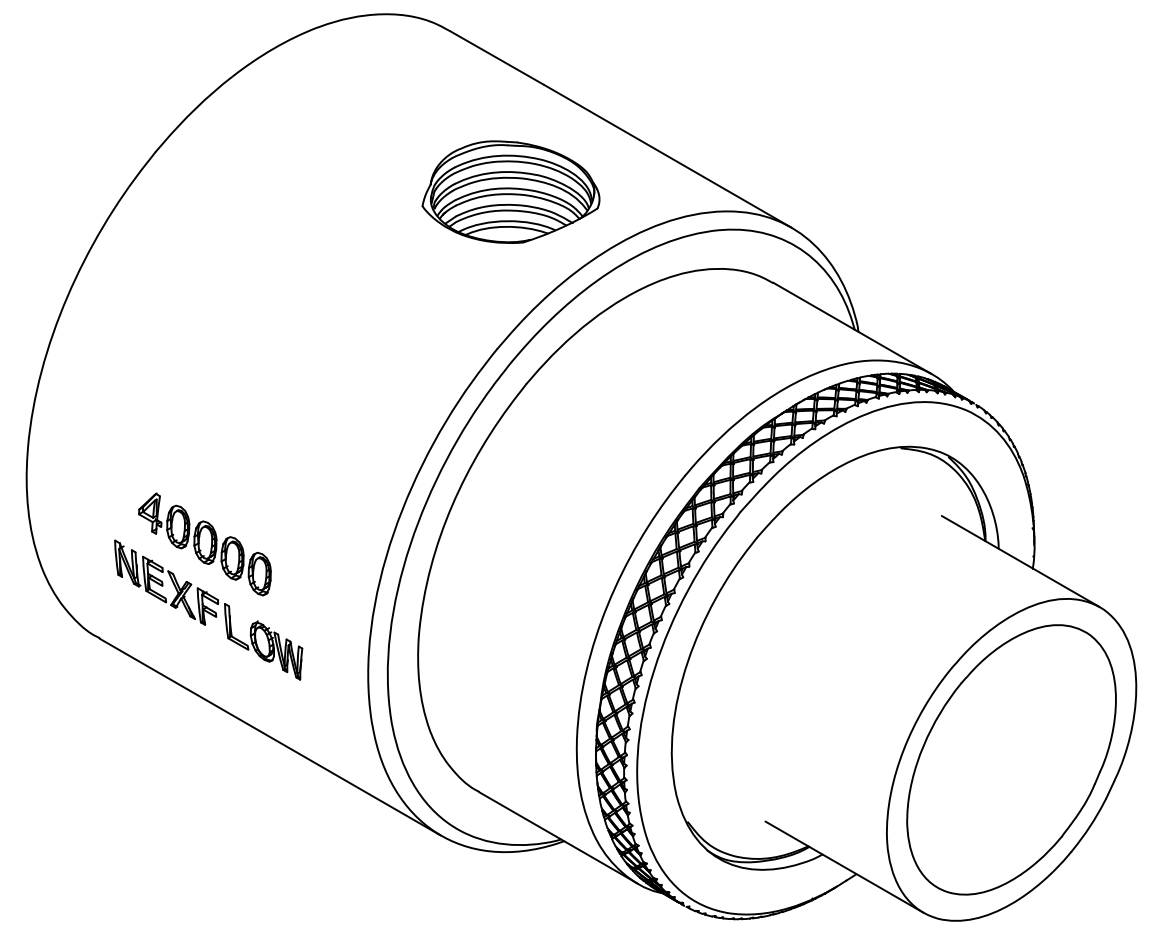
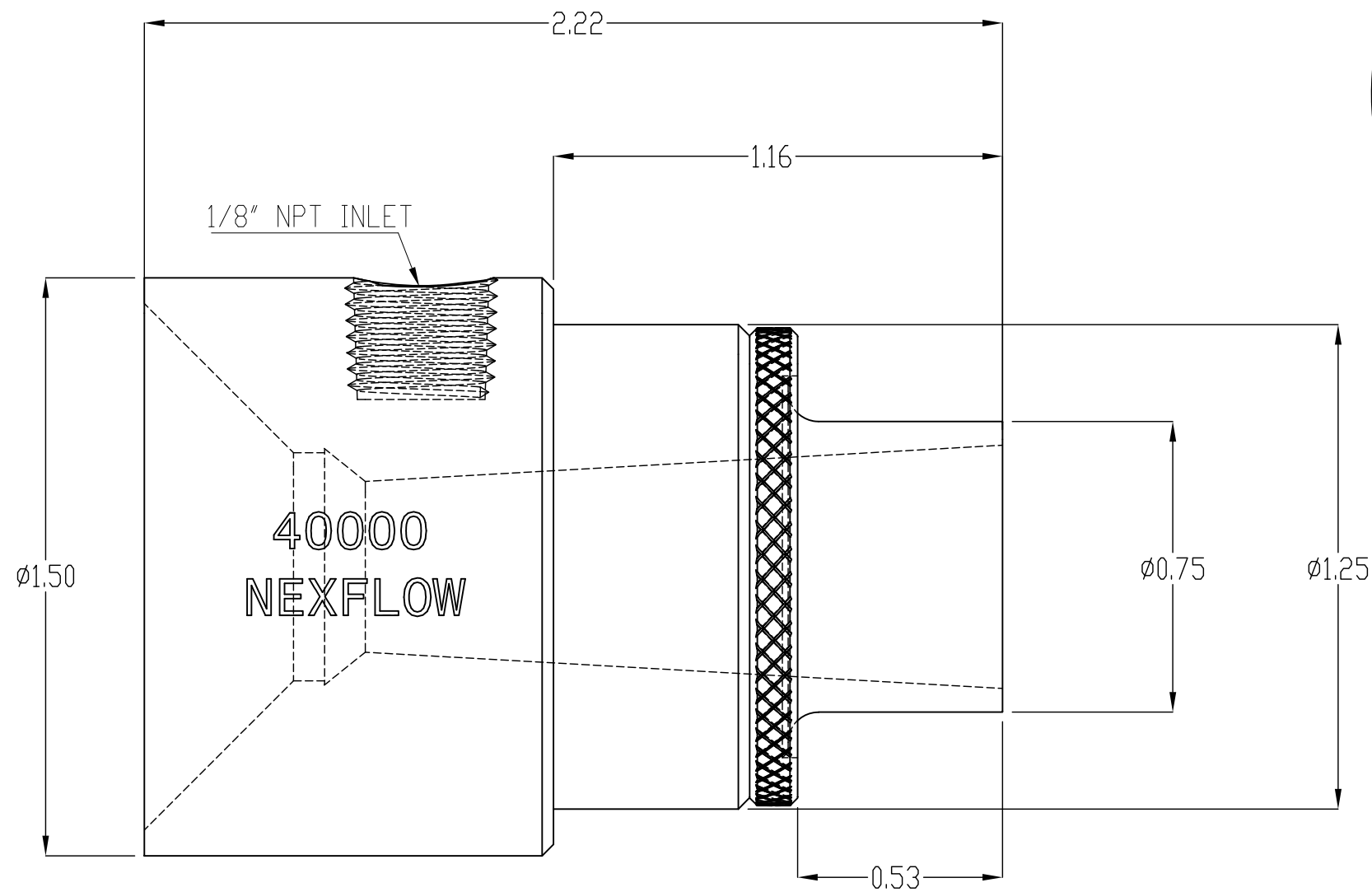
1

B

B

A

A



PROPRIETARY AND CONFIDENTIAL
 THE INFORMATION CONTAINED IN THIS DRAWING IS THE SOLE PROPERTY OF NEXFLOW. ANY REPRODUCTION IN PART OR AS A WHOLE WITHOUT THE WRITTEN PERMISSION OF NEXFLOW IS PROHIBITED.

		UNLESS OTHERWISE SPECIFIED		NAME	DATE	NEX FLOW™ AIR PRODUCTS CORP. 10520 YOUNG STREET, UNIT 35B220, RICHMOND HILL, ON, L4C 3C7 TEL: (416) 410-1313 & FAX: (416) 410-1806 www.nexflow.com	
		DIMENSIONS ARE IN INCHES		DRAWN	AMMAD	MAY/02/21	TITLE:
		TOLERANCES:		CHECKED			ADJUSTABLE AIR
		FRACTIONAL ±		ENG APPR.			AMPLIFIER
		ANGULAR: MACH ± BEND ±		MFG APPR.			SIZE MODEL #:
		TWO PLACE DECIMAL ±		Q.A.			B 40000/40000S
		THREE PLACE DECIMAL ±					REV
		INTERPRET GEOMETRIC TOLERANCING PER:				1	
		MATERIAL				SCALE: 2.5:1 WEIGHT:	
		ALUMINUM or STAINLESS STEEL					
		FINISH					
NEXT ASSY	USED ON	APPLICATION		DO NOT SCALE DRAWING			

4

3

2

1