

4

3

2

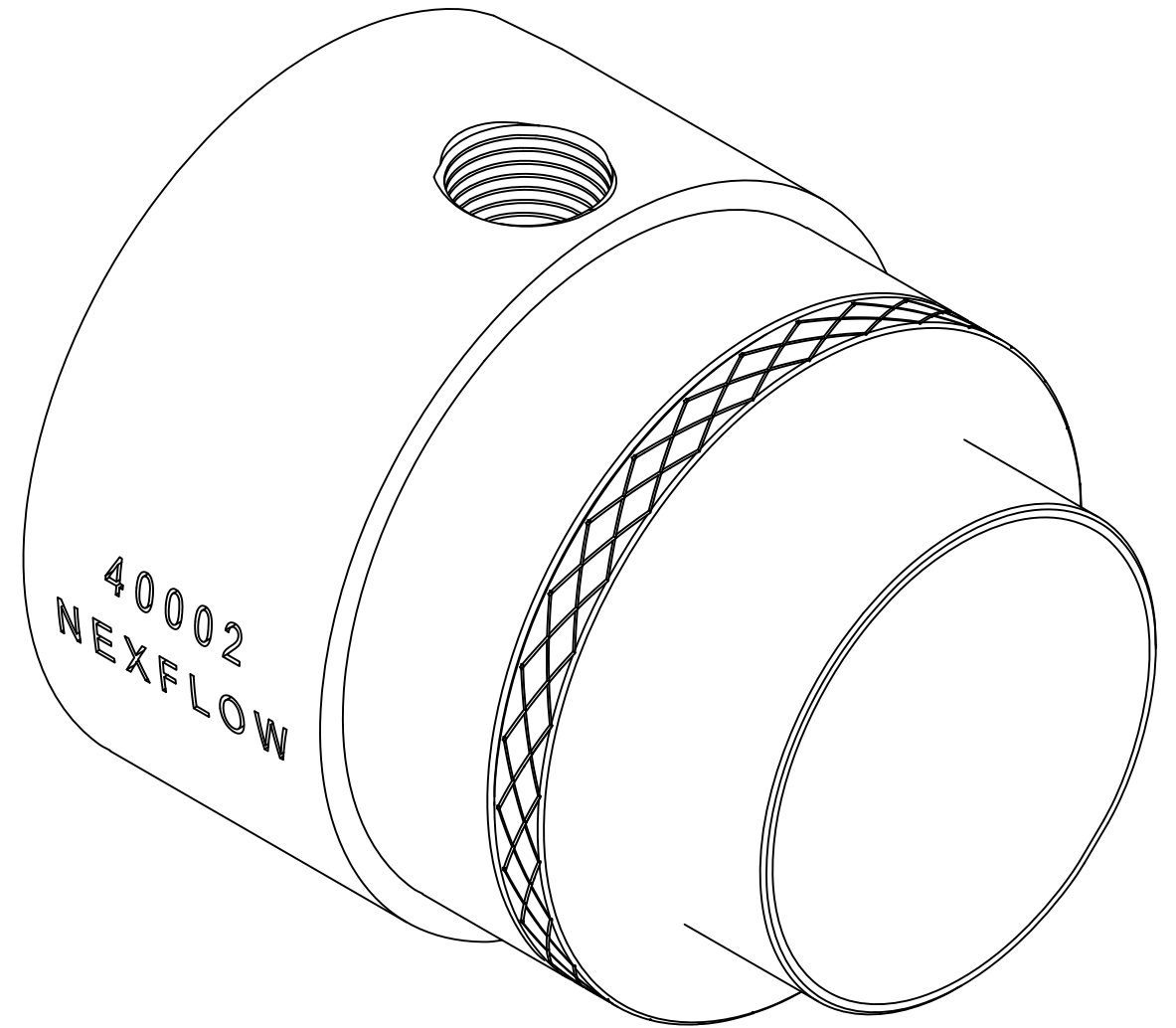
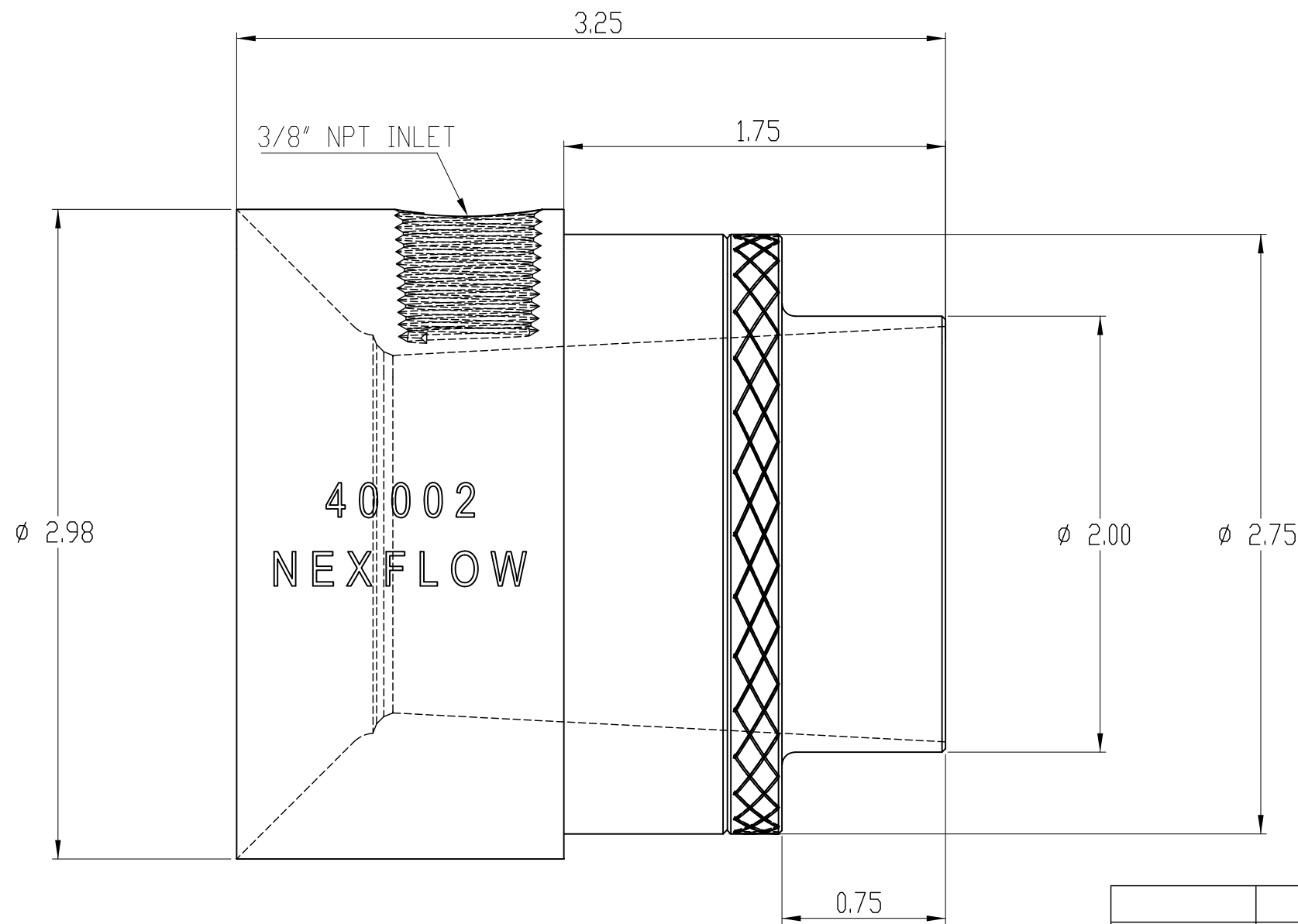
1

B

B

A

A



PROPRIETARY AND CONFIDENTIAL
 THE INFORMATION CONTAINED IN THIS DRAWING IS THE SOLE PROPERTY OF NEXFLOW. ANY REPRODUCTION IN PART OR AS A WHOLE WITHOUT THE WRITTEN PERMISSION OF NEXFLOW IS PROHIBITED.

		UNLESS OTHERWISE SPECIFIED	NAME	DATE	NEX FLOW™ AIR PRODUCTS CORP. 10520 YOUNG STREET, UNIT 35B220, RICHMOND HILL, ON, L4C 3C7 TEL: (416) 410-1313 & FAX: (416) 410-1806 www.nexflow.com	
		DIMENSIONS ARE IN INCHES	DRAWN	AMMAD	MAY/02/21	TITLE:
		TOLERANCES:	CHECKED			ADJUSTABLE AIR AMPLIFIER
		FRACTIONAL ±	ENG APPR.			SIZE DWG. NO. REV
		ANGULAR: MACH ± BEND ±	MFG APPR.			B 40002/40002S 1
		TWO PLACE DECIMAL ±	Q.A.			SCALE: 1.5:1 WEIGHT: SHEET 1 OF 1
		THREE PLACE DECIMAL ±				
		INTERPRET GEOMETRIC TOLERANCING PER:				
		MATERIAL				
		ALUMINUM or STAINLESS STEEL				
NEXT ASSY	USED ON	FINISH				
APPLICATION		DO NOT SCALE DRAWING				

4

3

2

1