

4

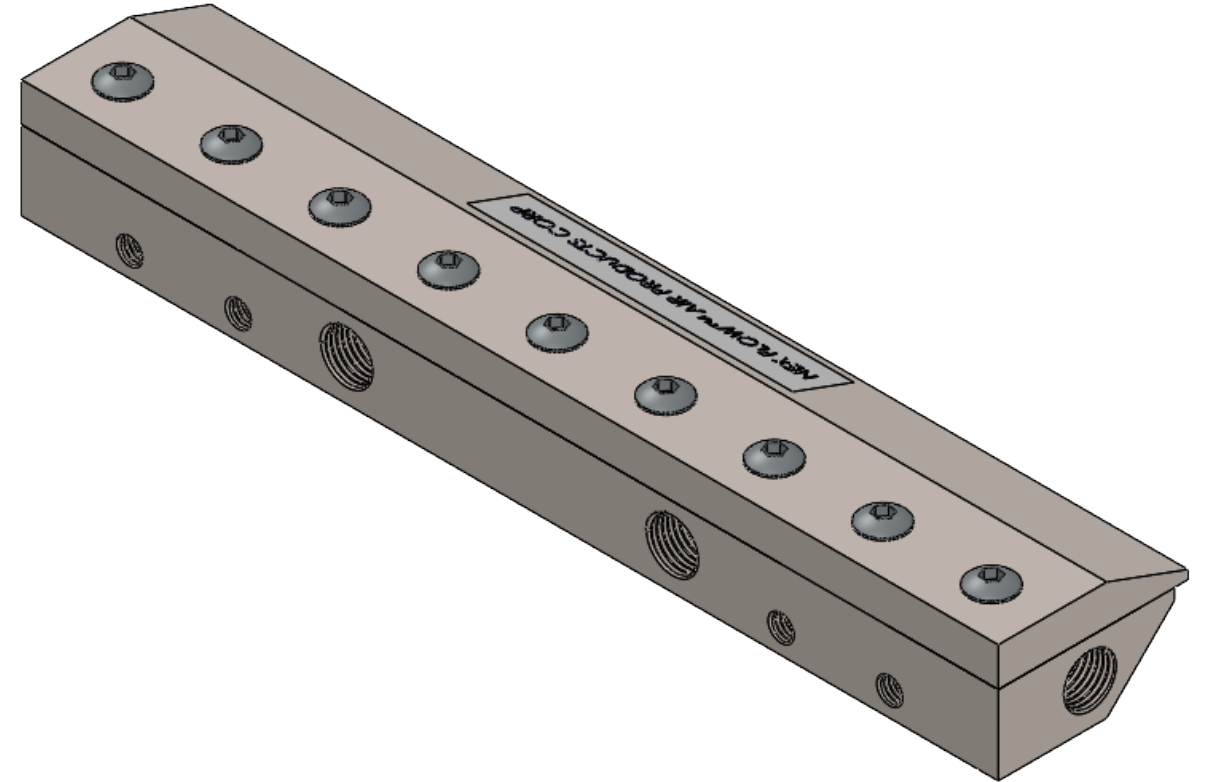
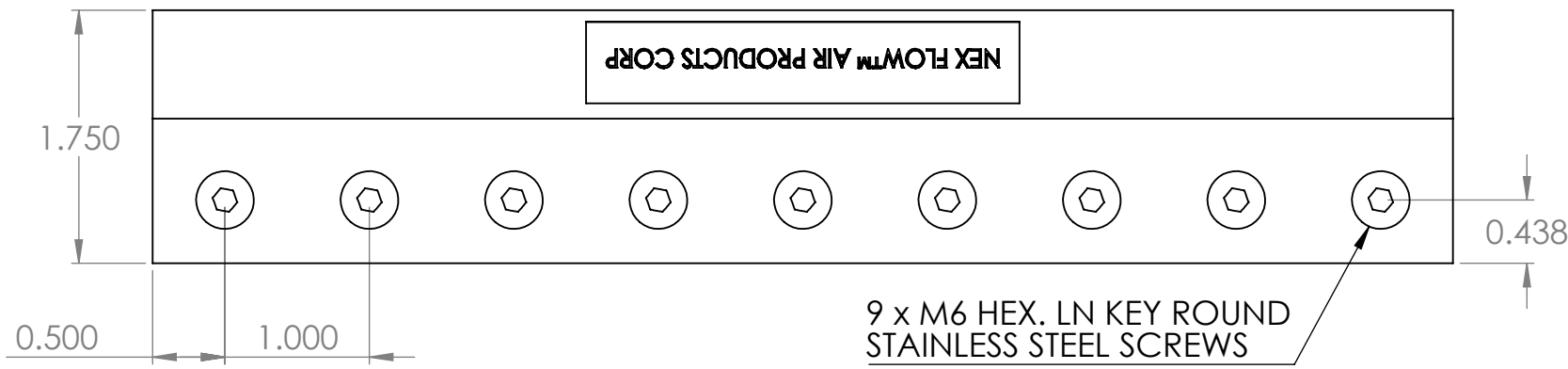
3

2

1

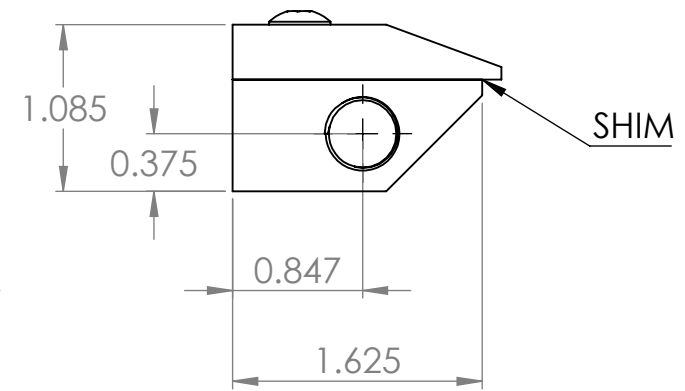
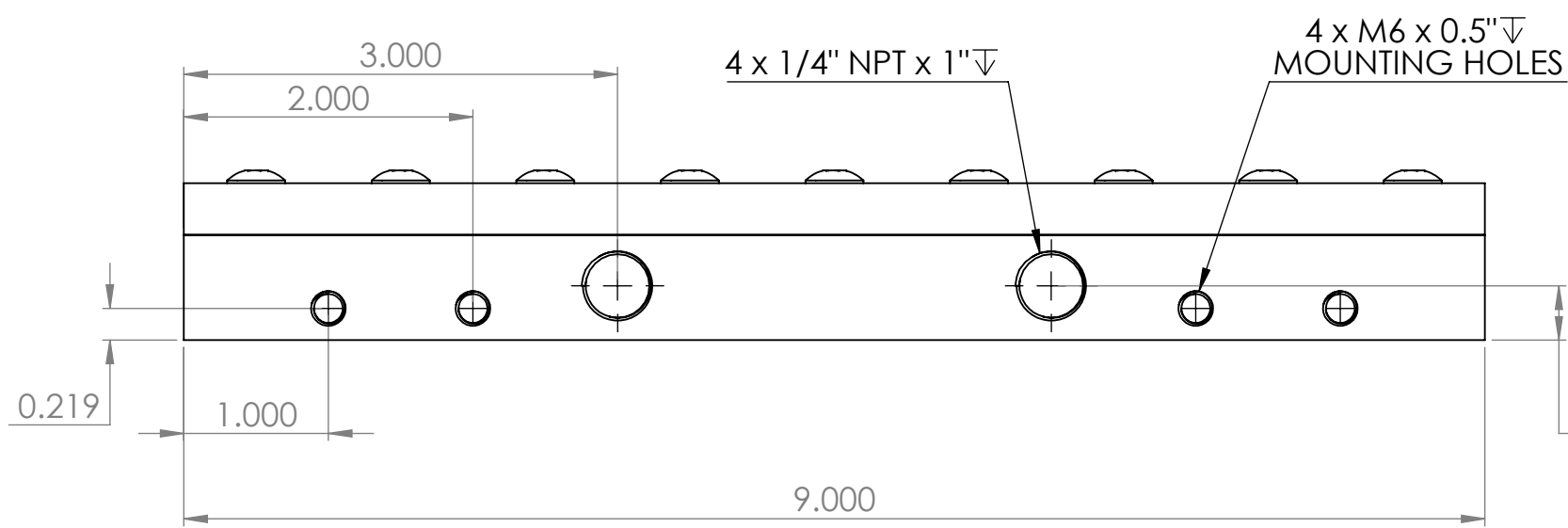
B

B



A

A



**PROPRIETARY AND CONFIDENTIAL**

THE INFORMATION CONTAINED IN THIS DRAWING IS THE SOLE PROPERTY OF NEXFLOW. ANY REPRODUCTION IN PART OR AS A WHOLE WITHOUT THE WRITTEN PERMISSION OF NEXFLOW IS PROHIBITED.

		UNLESS OTHERWISE SPECIFIED:		NAME	DATE	NEX FLOW™ AIR PRODUCTS CORP. 10520 YOUNG STREET, UNIT 35B220, RICHMOND HILL, ON, L4C 3C7 TEL: (416) 410-1313 & FAX: (416) 410-1806 <a href="http://www.nexflow.com">www.nexflow.com</a>	
		DIMENSIONS ARE IN INCHES TOLERANCES: FRACTIONAL ± ANGULAR: MACH ± BEND ± TWO PLACE DECIMAL ± THREE PLACE DECIMAL ±		DRAWN	AMMAD	SEPT/4/21	TITLE:
		INTERPRET GEOMETRIC TOLERANCING PER:		CHECKED			<b>9" X-STREAM AIR BLADE AIR KNIFE</b>
		MATERIAL		ENG APPR.			
		FINISH		MFG APPR.			SIZE
NEXT ASSY	USED ON	SS-316L		Q.A.			MODEL #:
APPLICATION		DO NOT SCALE DRAWING					REV
							SCALE: 1:1.25
							WEIGHT:
							SHEET 1 OF 1

4

3

2

1