

4

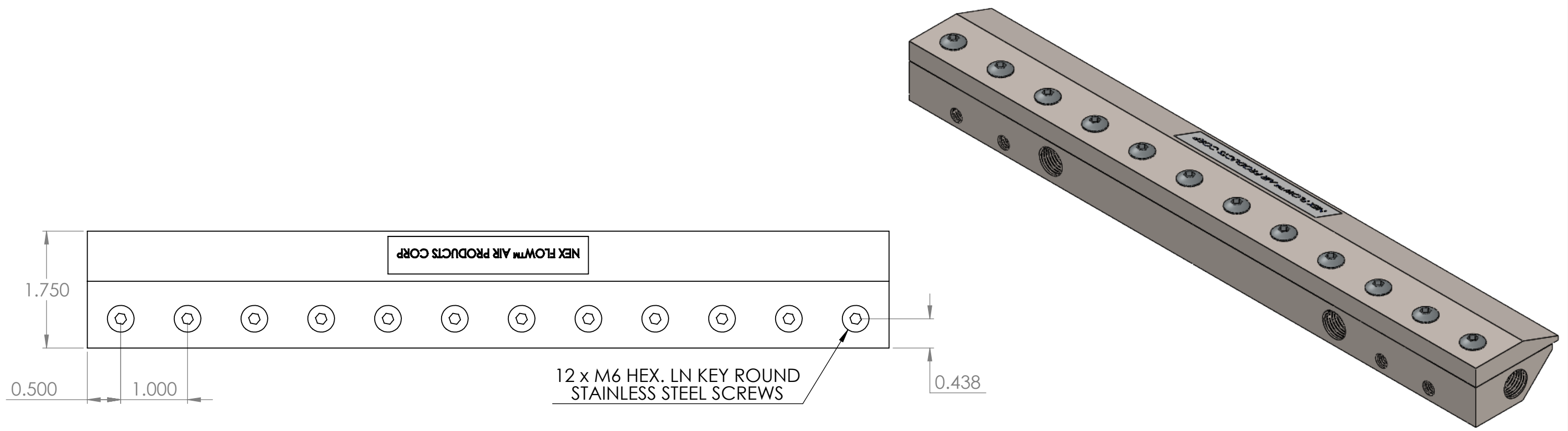
3

2

1

B

B



1.750

0.500 1.000

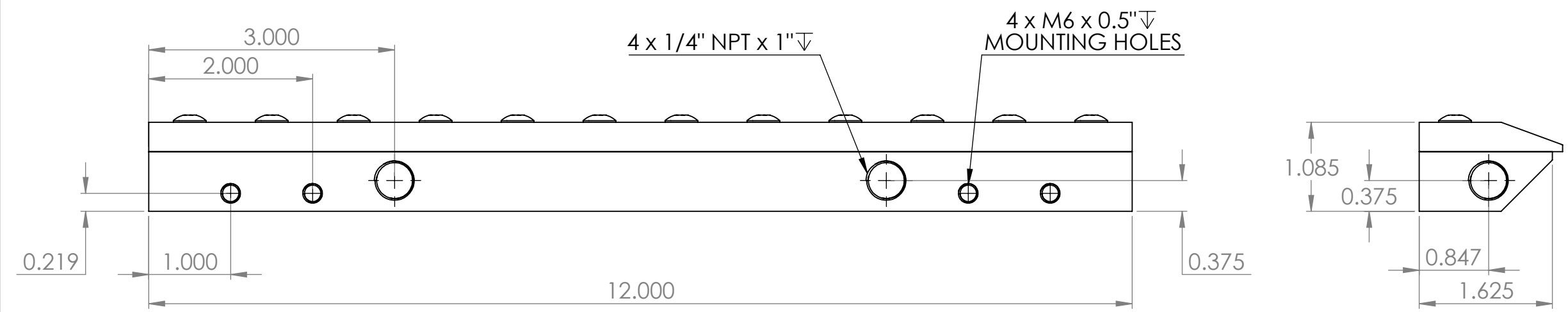
NEX FLOW™ AIR PRODUCTS CORP

12 x M6 HEX. LN KEY ROUND STAINLESS STEEL SCREWS

0.438

A

A



3.000 2.000

4 x 1/4" NPT x 1" ∇

4 x M6 x 0.5" ∇ MOUNTING HOLES

0.219 1.000 12.000 0.375

1.085 0.375 0.847 1.625

PROPRIETARY AND CONFIDENTIAL

THE INFORMATION CONTAINED IN THIS DRAWING IS THE SOLE PROPERTY OF NEXFLOW. ANY REPRODUCTION IN PART OR AS A WHOLE WITHOUT THE WRITTEN PERMISSION OF NEXFLOW IS PROHIBITED.

		UNLESS OTHERWISE SPECIFIED:		NAME	DATE	NEX FLOW™ AIR PRODUCTS CORP. 10520 YOUNG STREET, UNIT 35B220, RICHMOND HILL, ON, L4C 3C7 TEL: (416) 410-1313 & FAX: (416) 410-1806 www.nexflow.com	
		DIMENSIONS ARE IN INCHES		DRAWN	AMMAD		SEPT/4/21
		TOLERANCES:		CHECKED			
		FRACTIONAL ±		ENG APPR.			
		ANGULAR: MACH ± BEND ±		MFG APPR.			
		TWO PLACE DECIMAL ±		Q.A.			
		THREE PLACE DECIMAL ±				TITLE: 12" X-STREAM AIR BLADE AIR KNIFE	
		INTERPRET GEOMETRIC TOLERANCING PER:				SIZE MODEL #: B 10012XS	
		MATERIAL				REV 1	
		SS-316L				SCALE: 1:1.5WEIGHT: SHEET 1 OF 1	
		FINISH					
NEXT ASSY	USED ON						
APPLICATION		DO NOT SCALE DRAWING					

4

3

2

1