

4

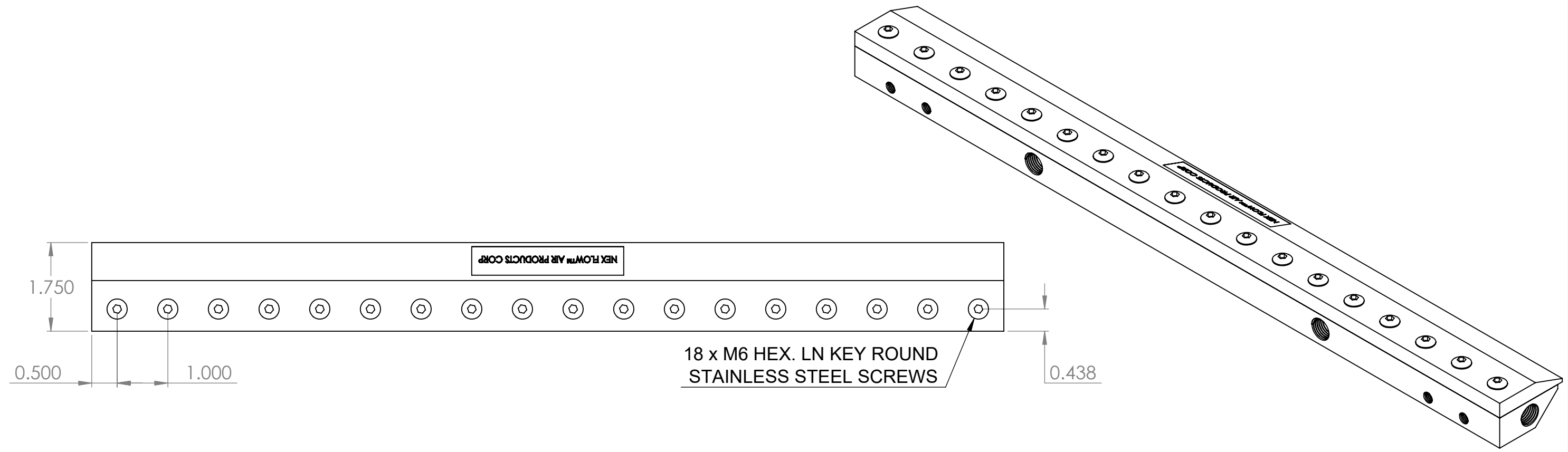
3

2

1

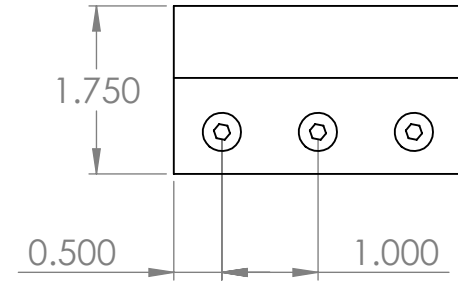
B

B



NEX FLOW™ AIR PRODUCTS CORP.

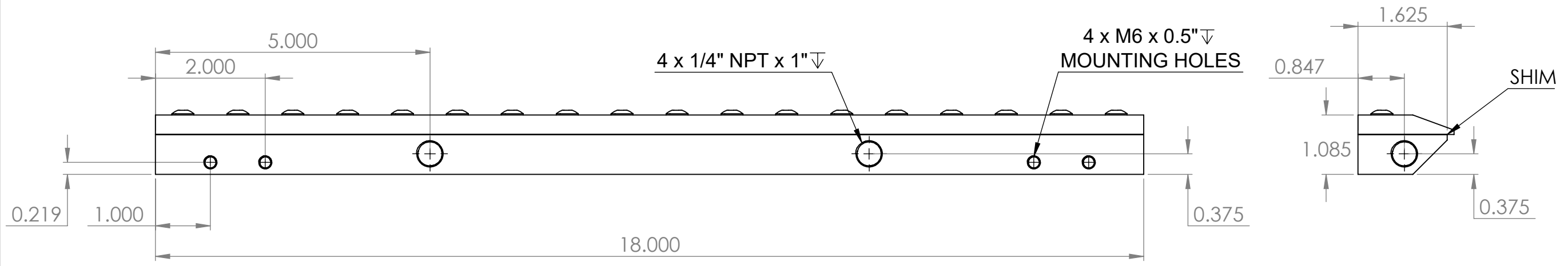
18 x M6 HEX. LN KEY ROUND STAINLESS STEEL SCREWS



0.438

A

A

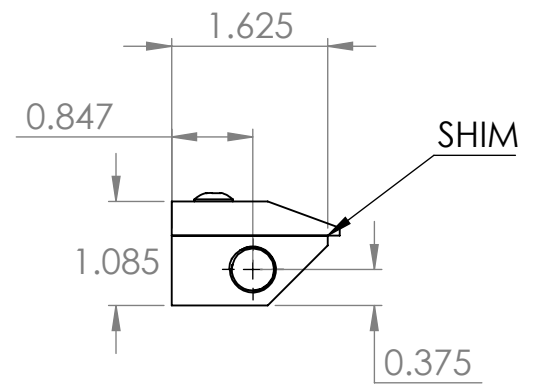


4 x 1/4" NPT x 1" ∇

4 x M6 x 0.5" ∇ MOUNTING HOLES

SHIM

0.375



0.375

PROPRIETARY AND CONFIDENTIAL

THE INFORMATION CONTAINED IN THIS DRAWING IS THE SOLE PROPERTY OF NEXFLOW. ANY REPRODUCTION IN PART OR AS A WHOLE WITHOUT THE WRITTEN PERMISSION OF NEXFLOW IS PROHIBITED.

		UNLESS OTHERWISE SPECIFIED:		NAME	DATE	NEX FLOW™ AIR PRODUCTS CORP. 10520 YOUNG STREET, UNIT 35B220, RICHMOND HILL, ON, L4C 3C7 TEL: (416) 410-1313 & FAX: (416) 410-1806 www.nexflow.com	
		DIMENSIONS ARE IN INCHES		DRAWN	AMMAD		SEPT/4/21
		TOLERANCES:		CHECKED			
		FRACTIONAL ±		ENG APPR.			
		ANGULAR: MACH ± BEND ±		MFG APPR.			
		TWO PLACE DECIMAL ±		Q.A.			
		THREE PLACE DECIMAL ±					
		INTERPRET GEOMETRIC TOLERANCING PER:					
		MATERIAL					
		SS-316L					
		FINISH					
NEXT ASSY	USED ON						
APPLICATION		DO NOT SCALE DRAWING					
						TITLE: 18" X-STREAM AIR BLADE AIR KNIFE	
SIZE	MODEL #:			REV			
B	10018XS			1			
SCALE: 1:2		WEIGHT:		SHEET 1 OF 1			

4

3

2

1