

4

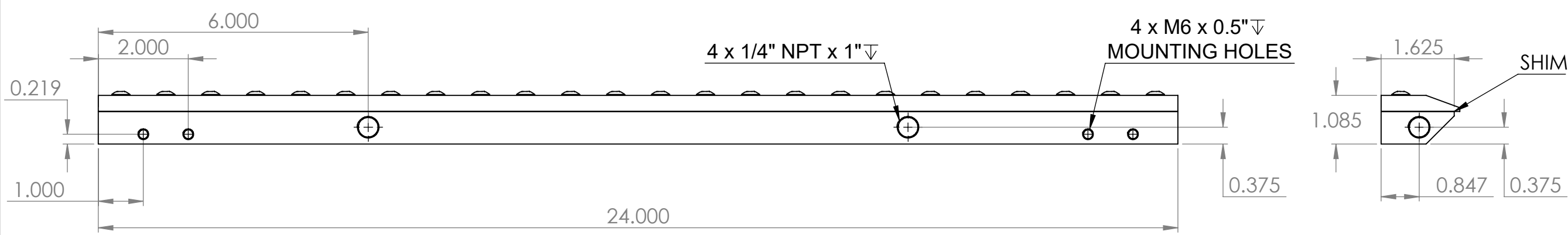
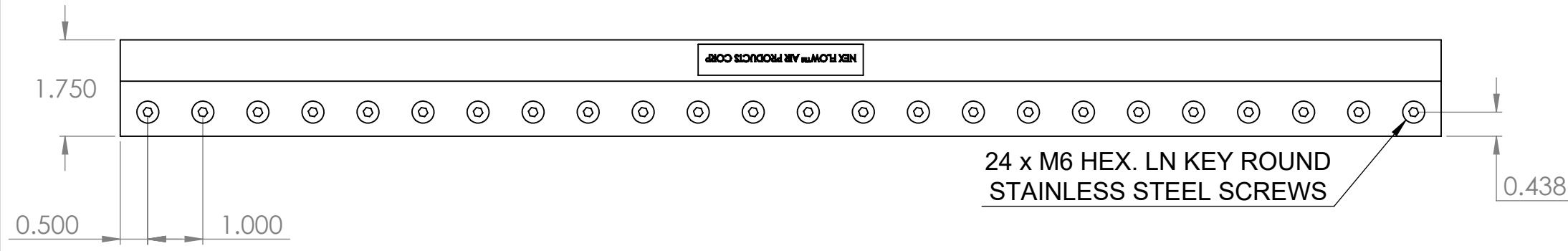
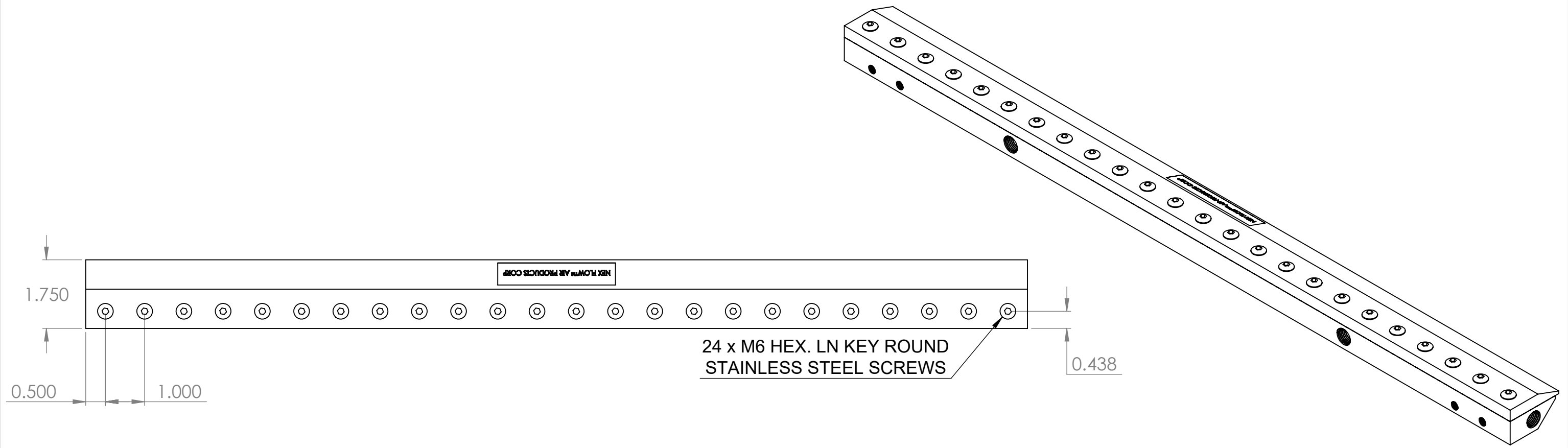
3

2

1

B

B



A

A

PROPRIETARY AND CONFIDENTIAL

THE INFORMATION CONTAINED IN THIS DRAWING IS THE SOLE PROPERTY OF NEXFLOW. ANY REPRODUCTION IN PART OR AS A WHOLE WITHOUT THE WRITTEN PERMISSION OF NEXFLOW IS PROHIBITED.

		UNLESS OTHERWISE SPECIFIED:		NAME	DATE	NEX FLOW™ AIR PRODUCTS CORP. 10520 YOUNG STREET, UNIT 35B220, RICHMOND HILL, ON, L4C 3C7 TEL: (416) 410-1313 & FAX: (416) 410-1806 www.nexflow.com	
		DIMENSIONS ARE IN INCHES		DRAWN	AMMAD		SEPT/4/21
		TOLERANCES:		CHECKED			
		FRACTIONAL ±		ENG APPR.			
		ANGULAR: MACH ± BEND ±		MFG APPR.			
		TWO PLACE DECIMAL ±		Q.A.			
		THREE PLACE DECIMAL ±				TITLE:	
		INTERPRET GEOMETRIC TOLERANCING PER:				24" X-STREAM AIR BLADE AIR KNIFE	
		MATERIAL				SIZE	
		SS-316L				MODEL #:	
		FINISH				B	
NEXT ASSY	USED ON					10024XS	
APPLICATION		DO NOT SCALE DRAWING				REV	
						1	
						SCALE: 1:2.5	
						WEIGHT:	
						SHEET 1 OF 1	

4

3

2

1