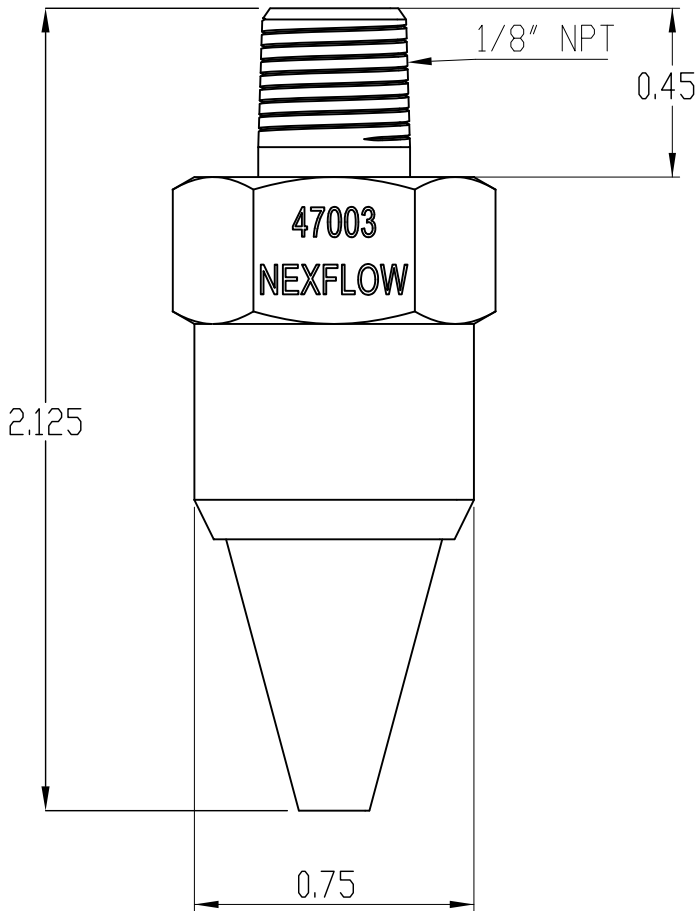
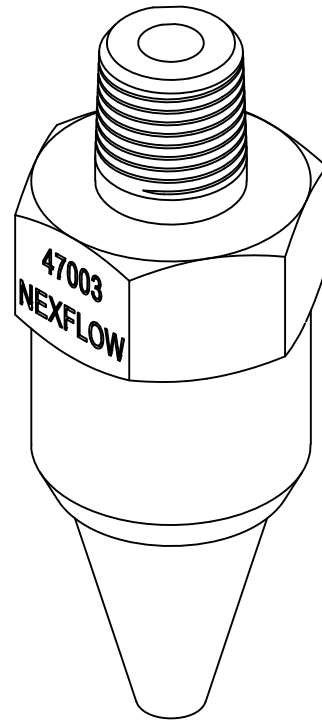
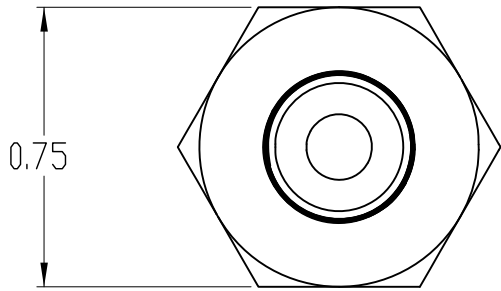


2

1



B

B

A

A

PROPRIETARY AND CONFIDENTIAL THE INFORMATION CONTAINED IN THIS DRAWING IS THE SOLE PROPERTY OF NEXFLOW. ANY REPRODUCTION IN PART OR AS A WHOLE WITHOUT THE WRITTEN PERMISSION OF NEXFLOW IS PROHIBITED.		DIMENSIONS ARE IN INCHES TOLERANCES: FRACTIONAL ± ANGULAR: MACH ± BEND ± TWO PLACE DECIMAL ± THREE PLACE DECIMAL ±		NAME AMMAD	DATE MAY/02/21	NEX FLOW™ AIR PRODUCTS CORP. 10520 YOUNG STREET, UNIT 35B220, RICHMOND HILL, ON, L4C 3C7 TEL: (416) 410-1313 & FAX: (416) 410-1806 www.nexflow.com
		MATERIAL ALUMINUM		CHECKED		
		FINISH		ENG APPR.		
		NEXT ASSY USED ON		MFG APPR.		
		APPLICATION DO NOT SCALE DRAWING		Q.A.		
				AIR NOZZLE		SIZE MODEL #: A 47003
				SCALE: 2:1	WEIGHT:	REV. 1 SHEET 1 OF 1

2

1