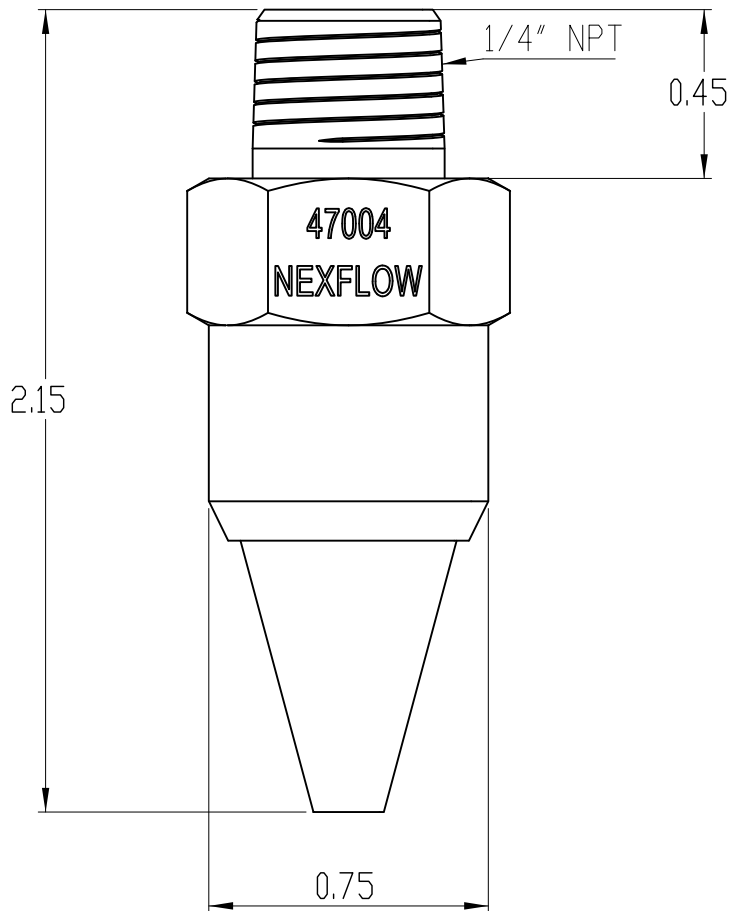
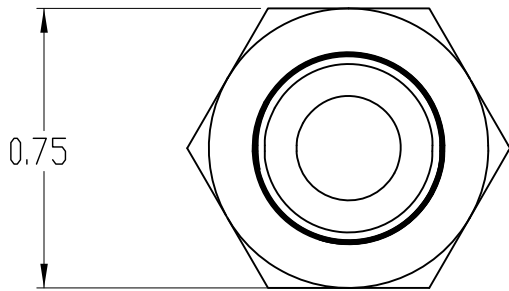


2

1



PROPRIETARY AND CONFIDENTIAL THE INFORMATION CONTAINED IN THIS DRAWING IS THE SOLE PROPERTY OF NEXFLOW. ANY REPRODUCTION IN PART OR AS A WHOLE WITHOUT THE WRITTEN PERMISSION OF NEXFLOW IS PROHIBITED.		DIMENSIONS ARE IN INCHES TOLERANCES: FRACTIONAL ± ANGULAR: MACH ± BEND ± TWO PLACE DECIMAL ± THREE PLACE DECIMAL ±		NAME AMMAD	DATE APR/13/21	NEXFLOW™ AIR PRODUCTS CORP. 10520 YOUNG STREET, UNIT 35B220, RICHMOND HILL, ON, L4C 8C7 TEL: (416) 410-1313 & FAX: (416) 410-1806 www.nexflow.com
		MATERIAL ALUMINUM	CHECKED ENG APPR. MFG APPR. Q.A.	AIR NOZZLE		
NEXT ASSY USED ON	FINISH					SIZE MODEL # A 47004
APPLICATION DO NOT SCALE DRAWING	SCALE: 2:1			WEIGHT:	SHEET 1 OF 1	

2

1