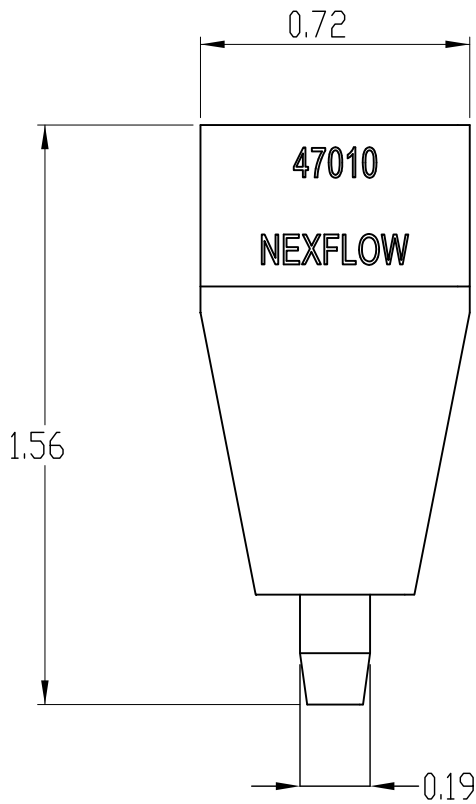
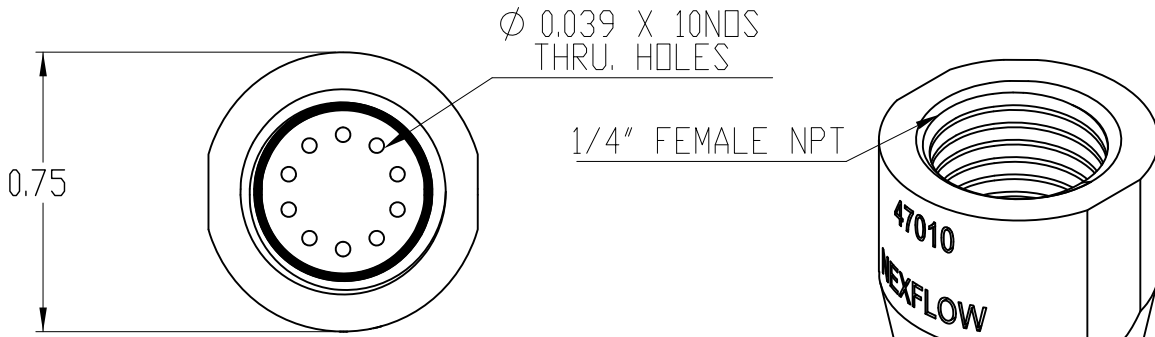


2

1



B

B

A

A

PROPRIETARY AND CONFIDENTIAL THE INFORMATION CONTAINED IN THIS DRAWING IS THE SOLE PROPERTY OF NEXFLOW. ANY REPRODUCTION IN PART OR AS A WHOLE WITHOUT THE WRITTEN PERMISSION OF NEXFLOW IS PROHIBITED.		DIMENSIONS ARE IN INCHES TOLERANCES: FRACTIONAL ± ANGULAR: MACH ± BEND ± TWO PLACE DECIMAL ± THREE PLACE DECIMAL ±		NAME AMMAD	DATE APR/13/21	NEX FLOW™ AIR PRODUCTS CORP. 10520 YOUNG STREET, UNIT 35B220, RICHMOND HILL, ON, L4C 8C7 TEL: (416) 410-1313 & FAX: (416) 410-1806 www.nexflow.com	X-STREAM STRONG FORCE NOZZLE	
		MATERIAL ANODIZED ALUMINUM		CHECKED ENG APPR. MFG APPR. Q.A.	SIZE MODEL #: A 47010			
NEXT ASSY USED ON		FINISH				SCALE: 2:1	WEIGHT:	SHEET 1 OF 1
APPLICATION		DO NOT SCALE DRAWING						

2

1