

4

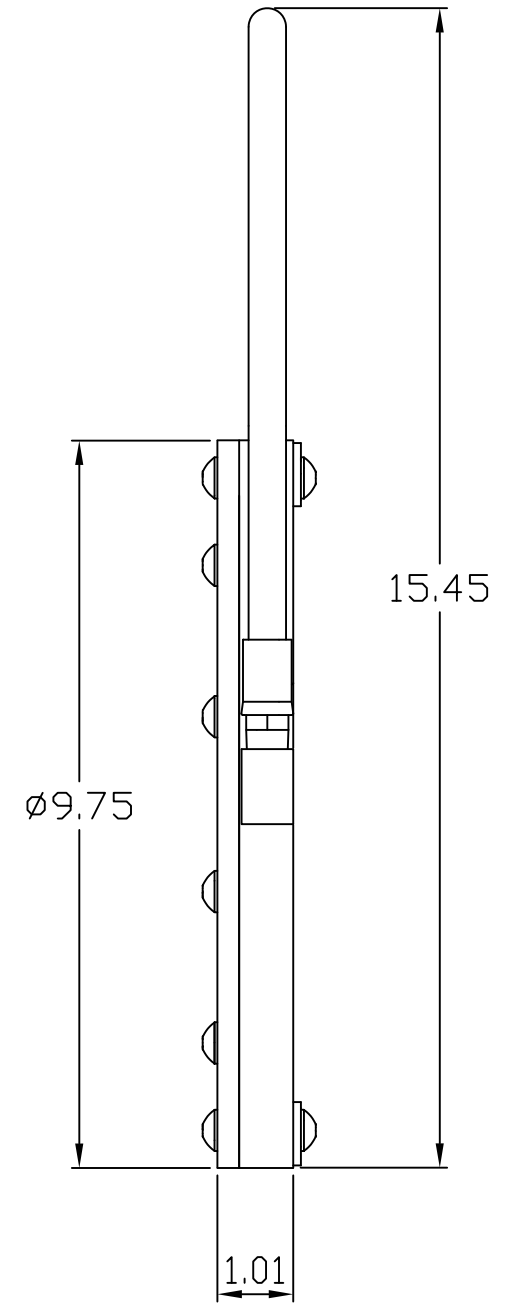
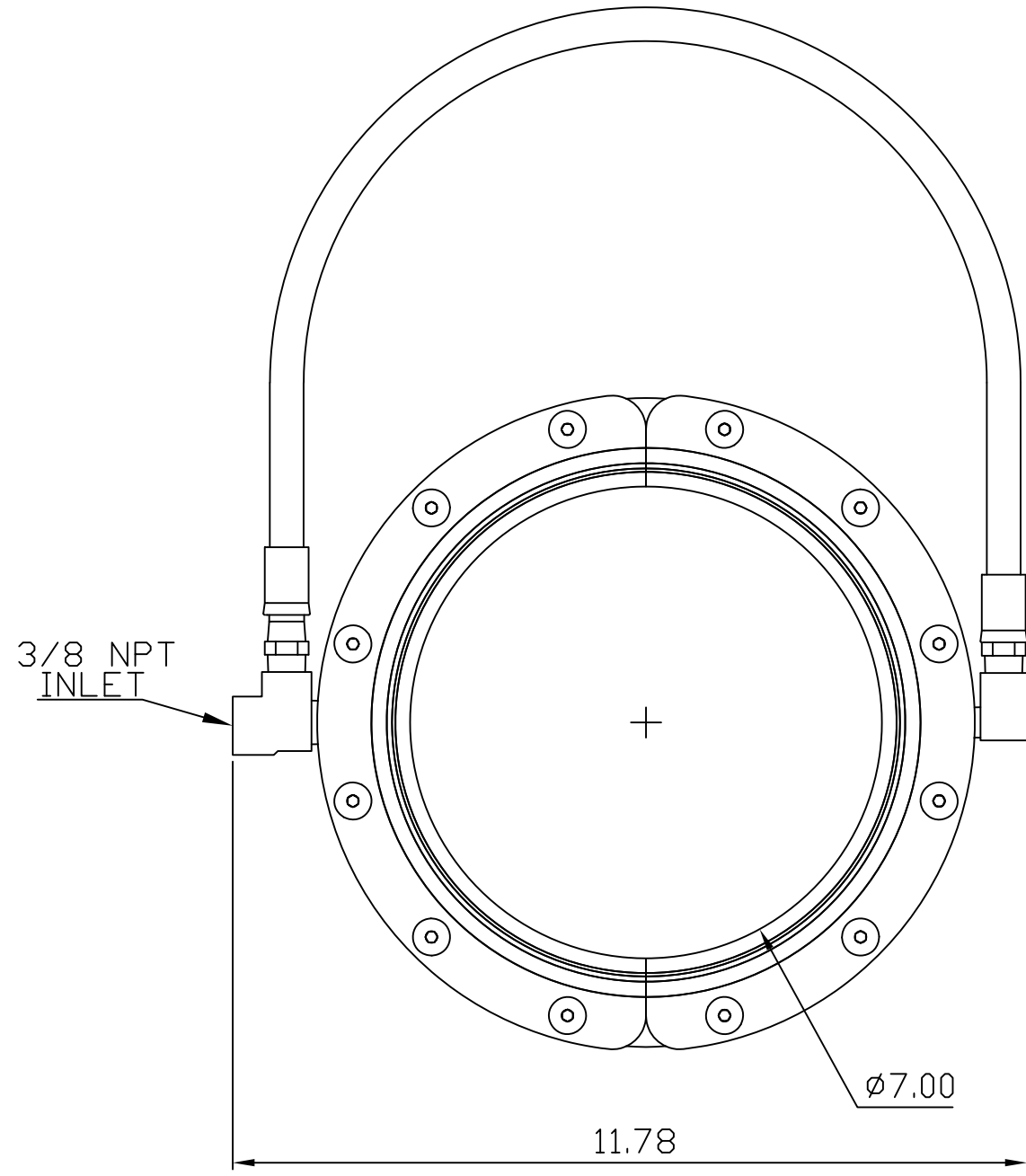
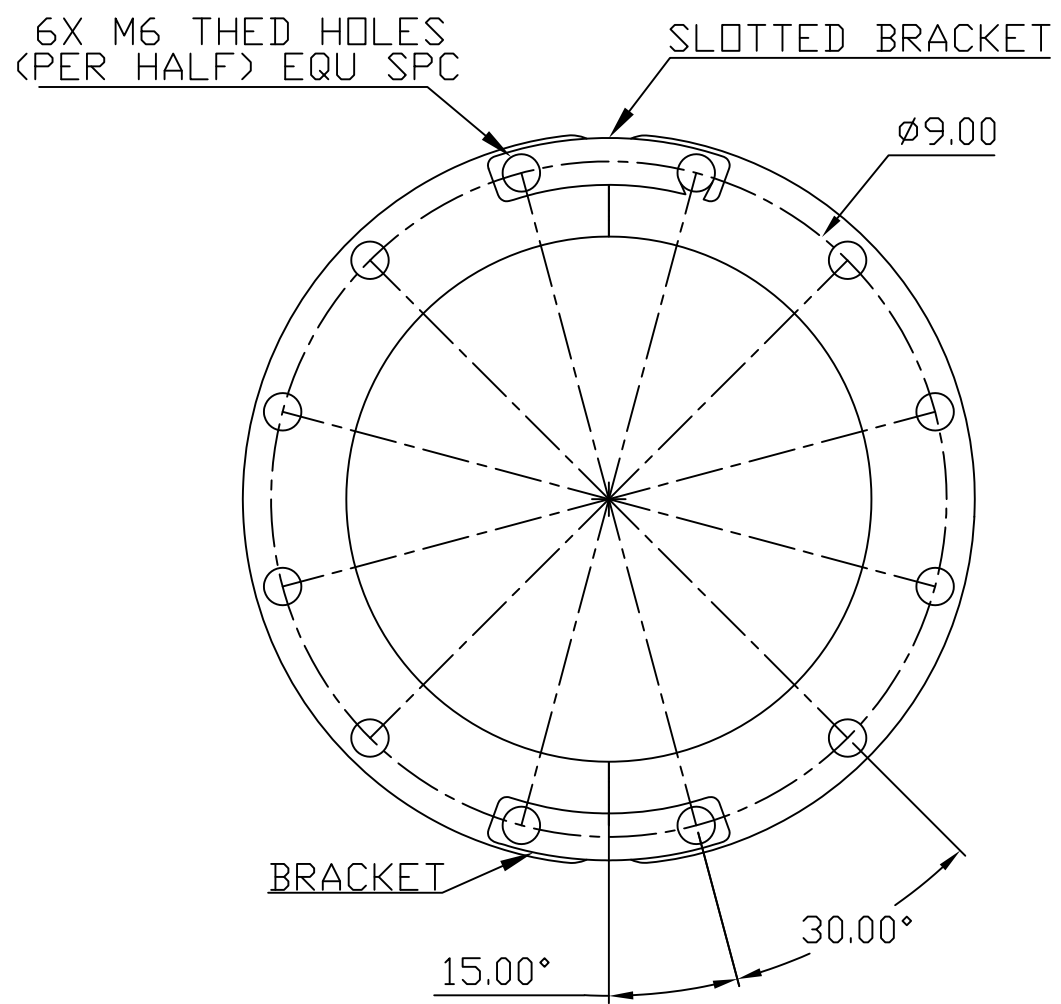
3

2

1

B

B



A

A

HOLE LOCATION PLUS BRACKETS

PROPRIETARY AND CONFIDENTIAL

THE INFORMATION CONTAINED IN THIS DRAWING IS THE SOLE PROPERTY OF NEXFLOW. ANY REPRODUCTION IN PART OR AS A WHOLE WITHOUT THE WRITTEN PERMISSION OF NEXFLOW IS PROHIBITED.

		UNLESS OTHERWISE SPECIFIED		NAME	DATE
		DIMENSIONS ARE IN INCHES	DRAWN	AMMAD	APR/23/21
		TOLERANCES:	CHECKED		
		FRACTIONAL ±	ENG APPR.		
		ANGULAR: MACH ± BEND ±	MFG APPR.		
		TWO PLACE DECIMAL ±			
		THREE PLACE DECIMAL ±			
		INTERPRET GEOMETRIC TOLERANCING PER:	Q.A.		
		MATERIAL			
NEXT ASSY	USED ON	FINISH			
APPLICATION		DO NOT SCALE DRAWING			

NEX FLOW™ AIR PRODUCTS CORP.	
10520 YOUNG STREET, UNIT 35B220, RICHMOND HILL, ON, L4C 3C7	
TEL: (416) 410-1313 & FAX: (416) 410-1806 <a href="http://www.nexflow.com">www.nexflow.com</a>	
TITLE:	
7" RING BLADE	
SIZE	MODEL #:
B	20007
SCALE: 1:2.5	WEIGHT:
	SHEET 1 OF 1

REV	1
-----	---

4

3

2

1