

4

3

2

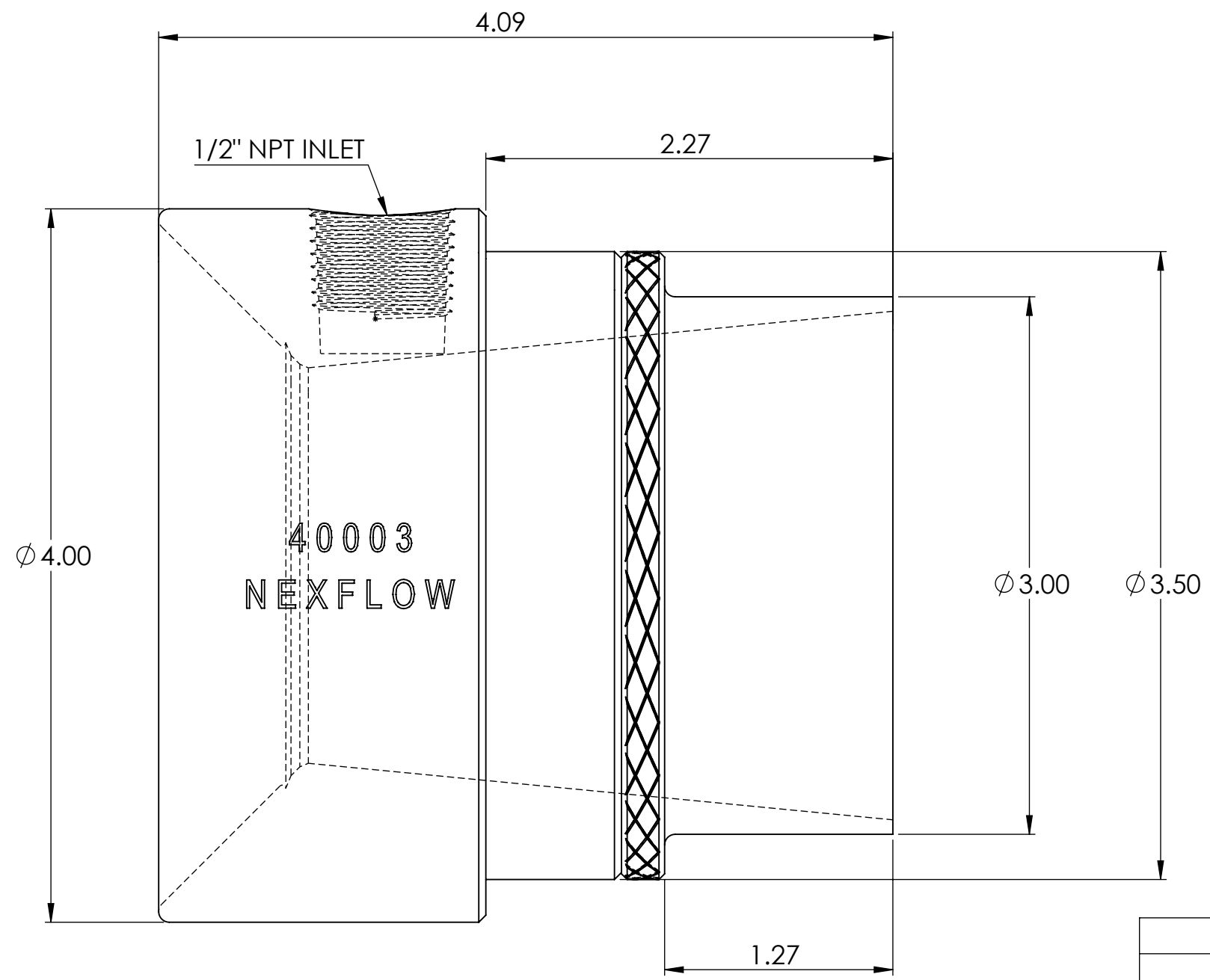
1

B

B

A

A



PROPRIETARY AND CONFIDENTIAL
 THE INFORMATION CONTAINED IN THIS DRAWING IS THE SOLE PROPERTY OF NEXFLOW. ANY REPRODUCTION IN PART OR AS A WHOLE WITHOUT THE WRITTEN PERMISSION OF NEXFLOW IS PROHIBITED.

| | | | | | | | |
|-------------|---------|---|--|-----------|-------|---|---|
| | | UNLESS OTHERWISE SPECIFIED: | | NAME | DATE | NEX FLOW™ AIR PRODUCTS CORP. 10520 YOUNG STREET, UNIT 35B220, RICHMOND HILL, ON, L4C 3C7 TEL: (416) 410-1313 & FAX: (416) 410-1806 www.nexflow.com | |
| | | DIMENSIONS ARE IN INCHES TOLERANCES: FRACTIONAL ± ANGULAR: MACH ± BEND ± TWO PLACE DECIMAL ± THREE PLACE DECIMAL ± | | DRAWN | AMMAD | MAY/02/21 | TITLE: ADJUSTABLE AIR AMPLIFIER |
| | | INTERPRET GEOMETRIC TOLERANCING PER: | | CHECKED | | | SIZE MODEL #: |
| | | MATERIAL ALUMINUM or STAINLESS STEEL | | ENG APPR. | | | B 40004/40004S |
| | | FINISH | | MFG APPR. | | | REV 1 |
| NEXT ASSY | USED ON | | | Q.A. | | | SCALE: 1.25:1 WEIGHT: |
| APPLICATION | | DO NOT SCALE DRAWING | | | | SHEET 1 OF 1 | |

4

3

2

1