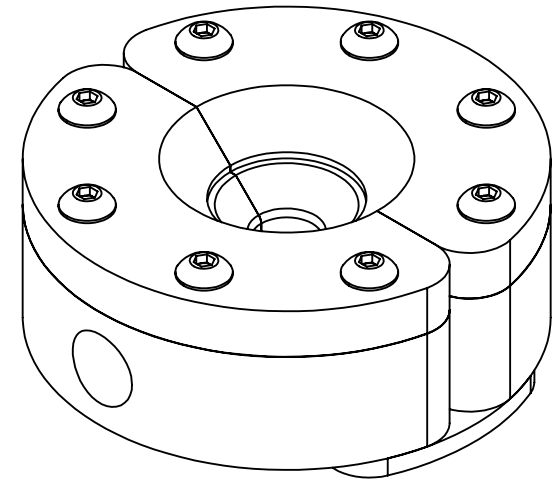
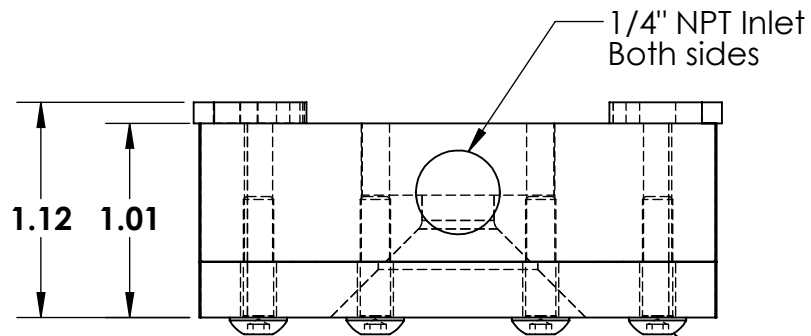


BOTTOM VIEW



ISOMETRIC VIEW



FRONT VIEW

Customer Approval	Tolerances:	3/8" Ring Blade		
LES RAPCHAK	$\pm .005$			
Designed by:	Material:			
A.S	ALUMINIUM 6061 T65			
Checked by:	Finish:			
A.S	50 μ m			
PROPRIETARY AND CONFIDENTIAL		NEXFLOW AIR PRODUCTS CORP. ADDRESS: 10520 Yonge St, Richmond Hill, ON L4C 3C7 PHONE NO: (416)-410-1313		
THE INFORMATION CONTAINED IN THIS DRAWING IS THE SOLE PROPERTY OF NEXFLOW AIR PRODUCTS CORPORATION. ANY REPRODUCTION IN PART OR AS A WHOLE WITHOUT THE WRITTEN PERMISSION OF NEXFLOW AIR PRODUCTS CORPORATION IS PROHIBITED.			Revision No.	
			0	
		Drawing No.	Scale	Size
		3/8" RING BLADE	1:1	A