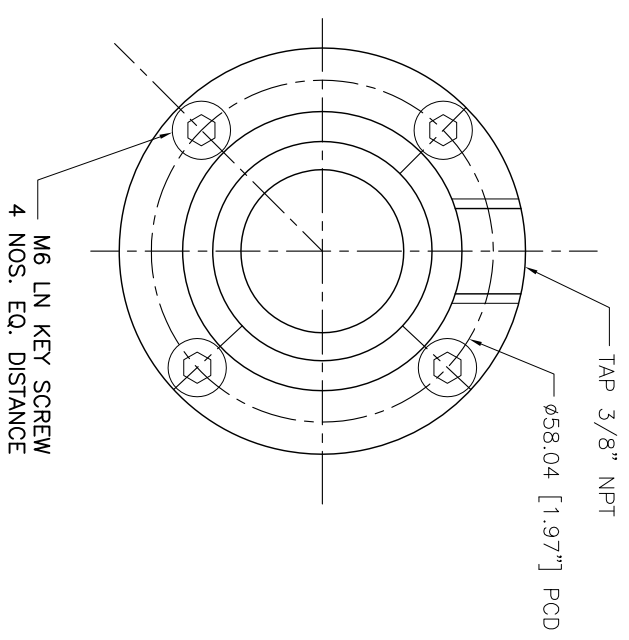
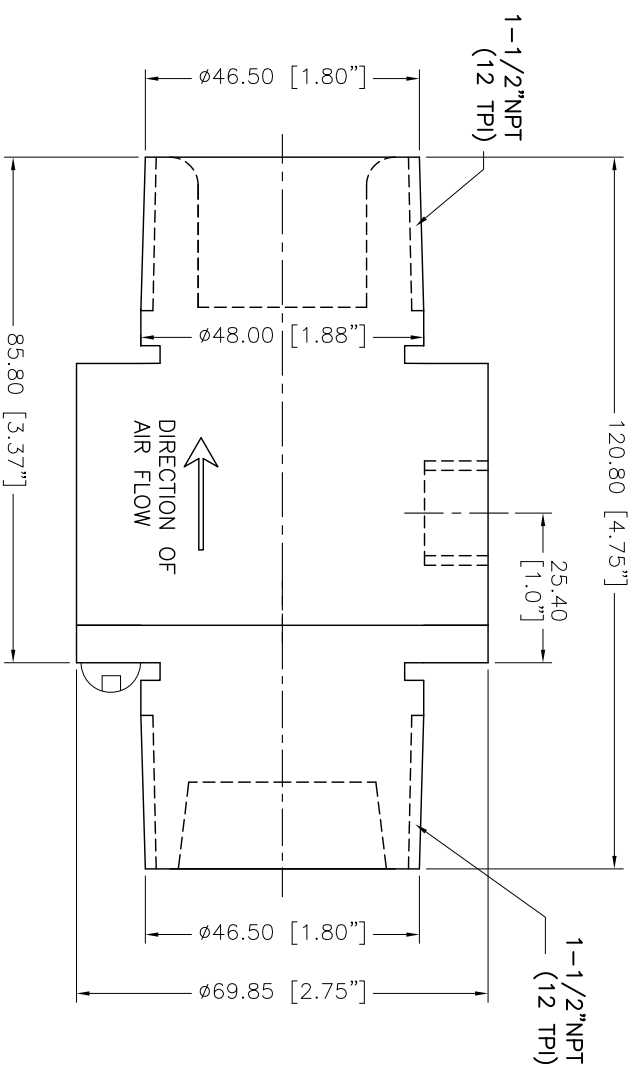


NOTES:  
 1 ALL DIMENSIONS SHOWN ARE FINISH OPERATIONAL DIMENSIONS WHICH INCLUDE RESIDUAL COATINGS UNLESS OTHERWISE SPECIFIED.



REVISIONS	DATE	BY	DESCRIPTION
1	07/06/2015	SEATTLE	ISSUED FOR PRODUCTION
2	07/06/2015	SEATTLE	ISSUED FOR PRODUCTION
3	07/06/2015	SEATTLE	ISSUED FOR PRODUCTION
4	07/06/2015	SEATTLE	ISSUED FOR PRODUCTION

CONTRACT NUMBER	CLUB	CONTRACTOR
PROJECT	SEATTLE	SEATTLE
DATE	07/06/2015	07/06/2015
TITLE	NEX FLOW AIR PRODUCTS CORP. 1.5" THREADED ALUMINUM RING VAC	
REV	DATE	BY
C		
300003T		
SCALE	1:1	1.5" - ALU-1
SHEET	1	1

REVISIONS	DATE	BY	DESCRIPTION
1	07/06/2015	SEATTLE	ISSUED FOR PRODUCTION
2	07/06/2015	SEATTLE	ISSUED FOR PRODUCTION
3	07/06/2015	SEATTLE	ISSUED FOR PRODUCTION
4	07/06/2015	SEATTLE	ISSUED FOR PRODUCTION

REVISIONS	DATE	BY	DESCRIPTION
1	07/06/2015	SEATTLE	ISSUED FOR PRODUCTION
2	07/06/2015	SEATTLE	ISSUED FOR PRODUCTION
3	07/06/2015	SEATTLE	ISSUED FOR PRODUCTION
4	07/06/2015	SEATTLE	ISSUED FOR PRODUCTION