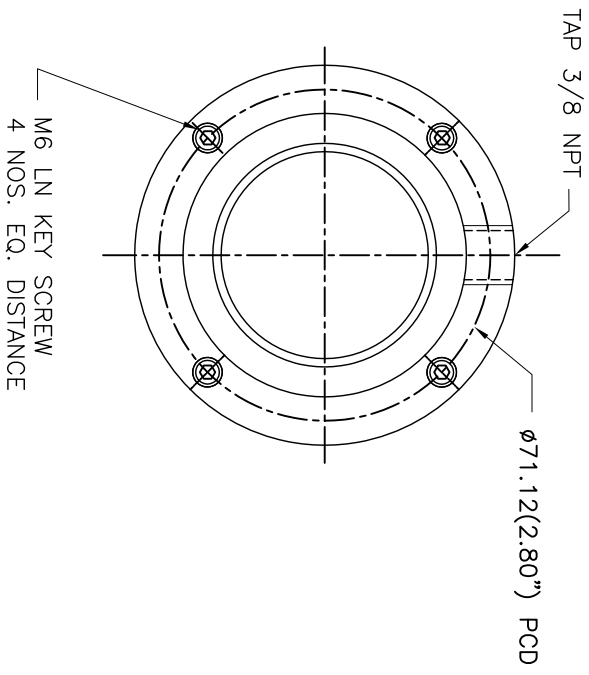
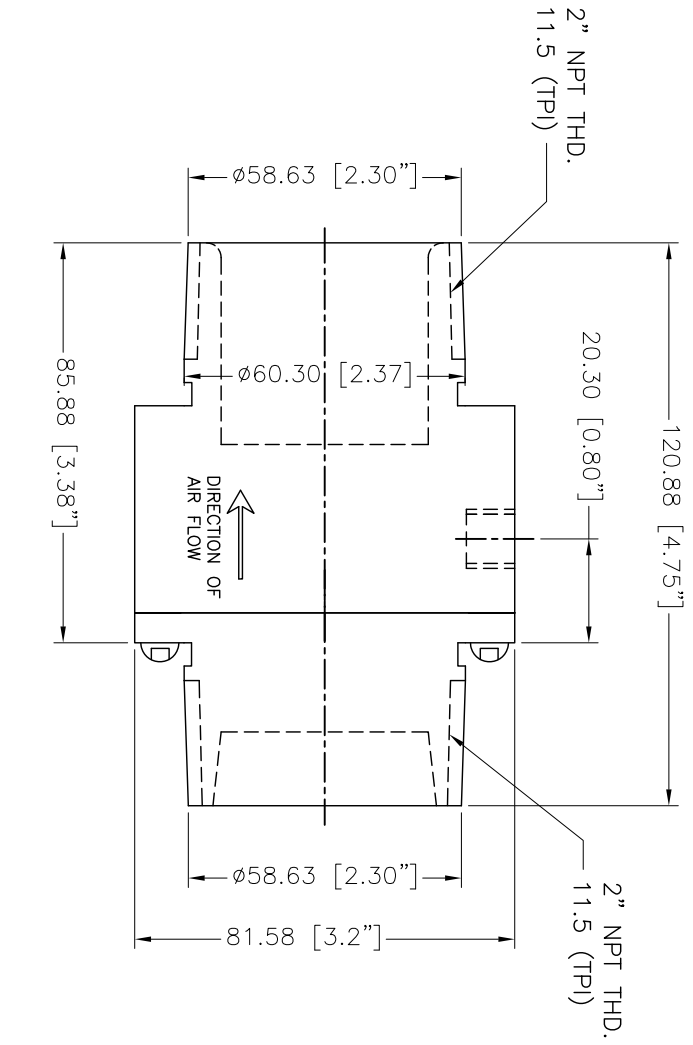


REVISIONS			
REV	DESCRIPTION	DATE	APPROVED
-	-	-	-



PART NO		REV		REV		REV		REV		REV	
AL											

REVISIONS	DESCRIPTION	DATE	BY	CHKD	APP'D
1	ISSUED FOR MANUFACTURE	07/08/2013			

REVISIONS	DESCRIPTION	DATE	BY	CHKD	APP'D
1	ISSUED FOR MANUFACTURE	07/08/2013			

REVISIONS	DESCRIPTION	DATE	BY	CHKD	APP'D
1	ISSUED FOR MANUFACTURE	07/08/2013			

REVISIONS	DESCRIPTION	DATE	BY	CHKD	APP'D
1	ISSUED FOR MANUFACTURE	07/08/2013			

REVISIONS	DESCRIPTION	DATE	BY	CHKD	APP'D
1	ISSUED FOR MANUFACTURE	07/08/2013			