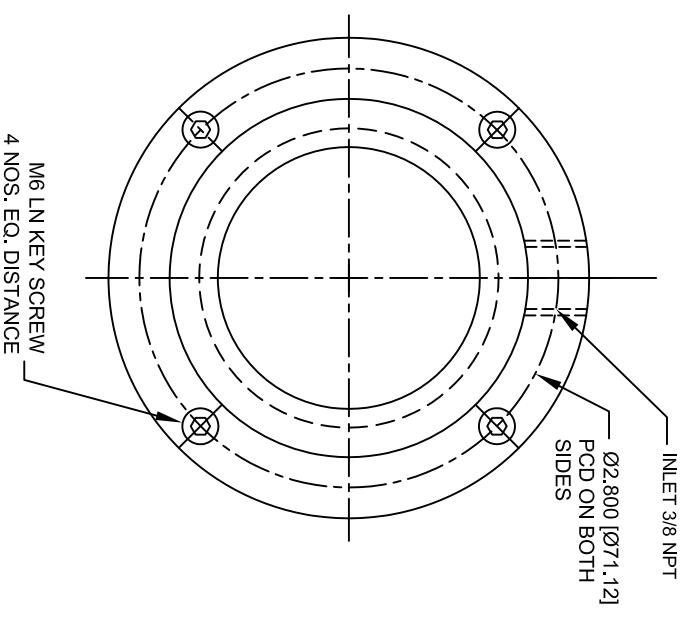
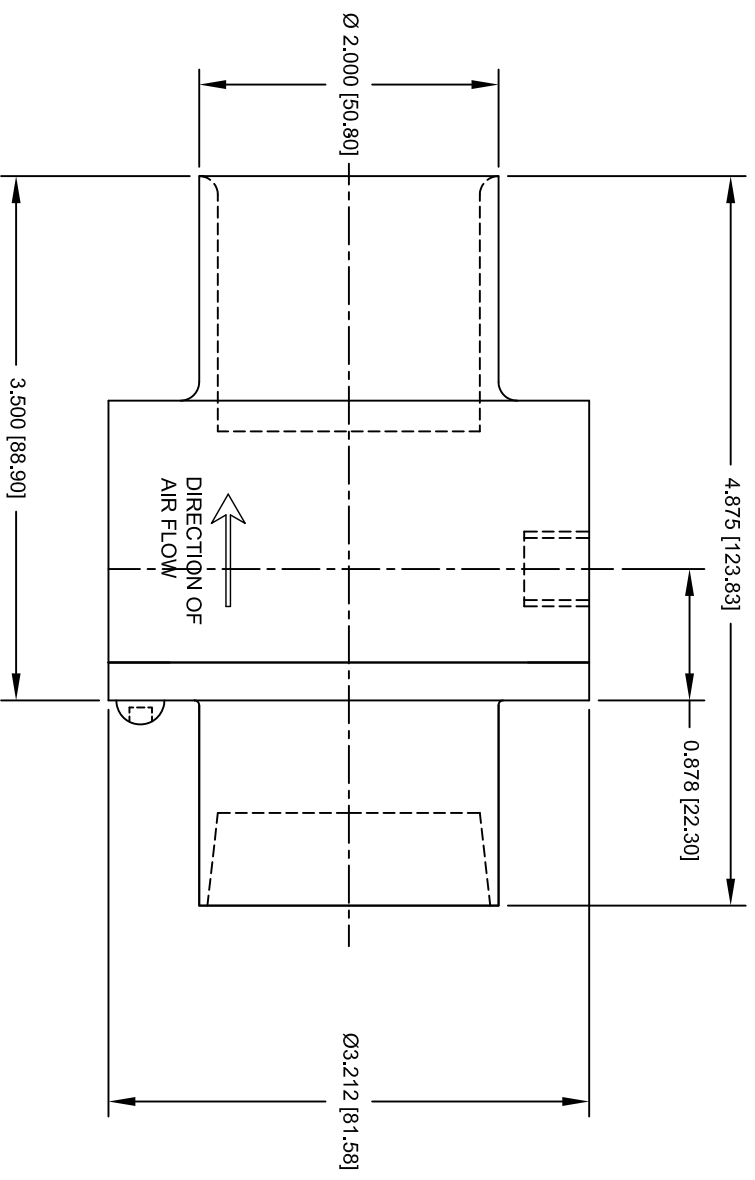


NOTES:  
 1 ALL DIMENSIONS SHOWN ARE FINISH OPERATIONAL DIMENSIONS WHICH INCLUDE RESIDUAL COATINGS UNLESS OTHERWISE SPECIFIED.



REV	DESCRIPTION	DATE	APPROVED

<b>REVISIONS</b> CONTRACT NUMBER: - CLIENT: - CONTRACTOR: - DATE: 09-04-11 DRAWING NO: 30004 SHEET: 1 OF 1		<b>REQUIREMENTS - FINISHES</b> 1. UNLESS OTHERWISE SPECIFIED, ALL FINISHES ARE TO BE IN ACCORDANCE WITH THE FOLLOWING: 1. UNLESS OTHERWISE SPECIFIED, ALL FINISHES ARE TO BE IN ACCORDANCE WITH THE FOLLOWING: 2. UNLESS OTHERWISE SPECIFIED, ALL FINISHES ARE TO BE IN ACCORDANCE WITH THE FOLLOWING: 3. UNLESS OTHERWISE SPECIFIED, ALL FINISHES ARE TO BE IN ACCORDANCE WITH THE FOLLOWING: 4. UNLESS OTHERWISE SPECIFIED, ALL FINISHES ARE TO BE IN ACCORDANCE WITH THE FOLLOWING:	
<b>GENERAL</b> 1. UNLESS OTHERWISE SPECIFIED, ALL FINISHES ARE TO BE IN ACCORDANCE WITH THE FOLLOWING: 2. UNLESS OTHERWISE SPECIFIED, ALL FINISHES ARE TO BE IN ACCORDANCE WITH THE FOLLOWING: 3. UNLESS OTHERWISE SPECIFIED, ALL FINISHES ARE TO BE IN ACCORDANCE WITH THE FOLLOWING: 4. UNLESS OTHERWISE SPECIFIED, ALL FINISHES ARE TO BE IN ACCORDANCE WITH THE FOLLOWING:		<b>FINISHES</b> 1. UNLESS OTHERWISE SPECIFIED, ALL FINISHES ARE TO BE IN ACCORDANCE WITH THE FOLLOWING: 2. UNLESS OTHERWISE SPECIFIED, ALL FINISHES ARE TO BE IN ACCORDANCE WITH THE FOLLOWING: 3. UNLESS OTHERWISE SPECIFIED, ALL FINISHES ARE TO BE IN ACCORDANCE WITH THE FOLLOWING: 4. UNLESS OTHERWISE SPECIFIED, ALL FINISHES ARE TO BE IN ACCORDANCE WITH THE FOLLOWING:	
<b>MATERIAL</b> ALUMINUM 6061 T6		<b>FINISH</b> THIRD ANGLE PROJECTION	

NEX FLOW AIR PRODUCTS CORP.  
 10520 YORK STREET, UNIT 259-220, RICHMOND HILL, ON L4C 3J7  
 TEL: (416) 410-5115 & FAX: (416) 410-1605 WWW.NEX-FLOW.COM

OUTLINE DRAWING OF  
 2" ALUMINUM RING VAC

30004  
 SHEET 1 OF 1