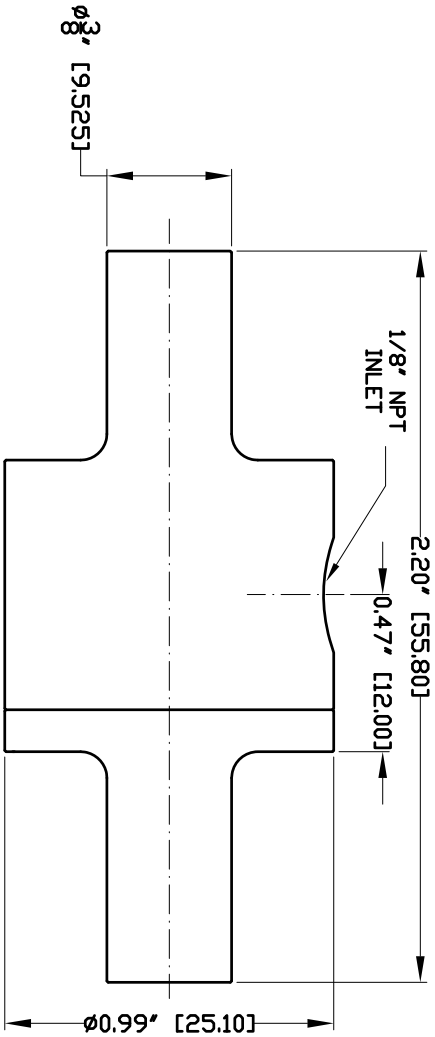
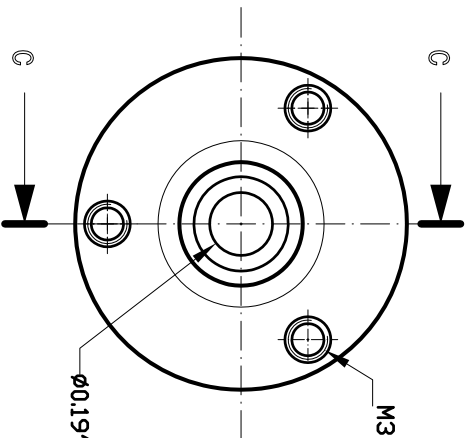


- NOTES:
- 1 ALL DIMENSIONS SHOWN ARE IN INCHES (MM)
  - 2 ALL DIMENSIONS SHOWN ARE FINISH OPERATIONAL DIMENSIONS WHICH INCLUDE RESIDUAL COATINGS UNLESS OTHERWISE SPECIFIED.
  - 3 PART TO BE FLAT PACKED PROPERLY TO AVOID ANY DAMAGE WHILE SHIPPING & HANDLING.
  - 4 ALL HORIZONTAL DIMENSIONS ARE SYMMETRICAL ABOUT VERTICAL CENTER LINE UNLESS OTHERWISE SPECIFIED.



Section view C-C



Front view

REVISIONS		DATE	APPROVED
REV	DESCRIPTION	-	-

THIRD ANGLE PROJECTION			
MATERIAL		<p>1. LINEAR DIMS. 30X = .002 30Y = .002 30Z = .002 2. ANGLES = 2 1/2° 3. FINISH = .010 TH 4. HOLES IN ACCORDANCE WITH ASST 10087</p>	
FINISH		-	
REQUIREMENTS-LIMITS (OTHERWISE SPECIFIED)		<p>CONTRACT NUMBER - CLIENT - CONTRACTOR -</p>	
GENERAL		<p>1. DIMS ARE IN INCHES (MM) 2. DIMENSIONS AND TOLERANCING IN ACCORDANCE WITH ASST Y143 (1982) 3. MACHINE FINISH 125 MICRO INCH RMS 4. INTERNAL TAPER .015 5. BREAK SHOWN CONFORMS ASST TO 016</p>	
DRAWING CHANGES		<p>DATE 30/04/2016 CREATED REVISED APPROVED DESIGNER CHECKED PROJECT</p>	
MANUFACTURING		<p>SIZE DATE CODE REV NO. 399988S</p>	
THERMAL		-	
ELECTRICAL		-	
SCALE 1:1		<p>DRG NO. 3/8"-SS304RV</p>	
SHEET 1		OF 1	

NEX FLOW AIR PRODUCTS CORP.  
10820 YONGE STREET, UNIT 38B-220, RICHMOND HILL, ON L4C 3C7  
TEL: (416) 410-1313 & FAX: (416) 410-1806 WWW.NEX-FLOW.COM

TITLE  
OUTLINE DRAWING OF  
3/8" S.S.-304 RING VAC