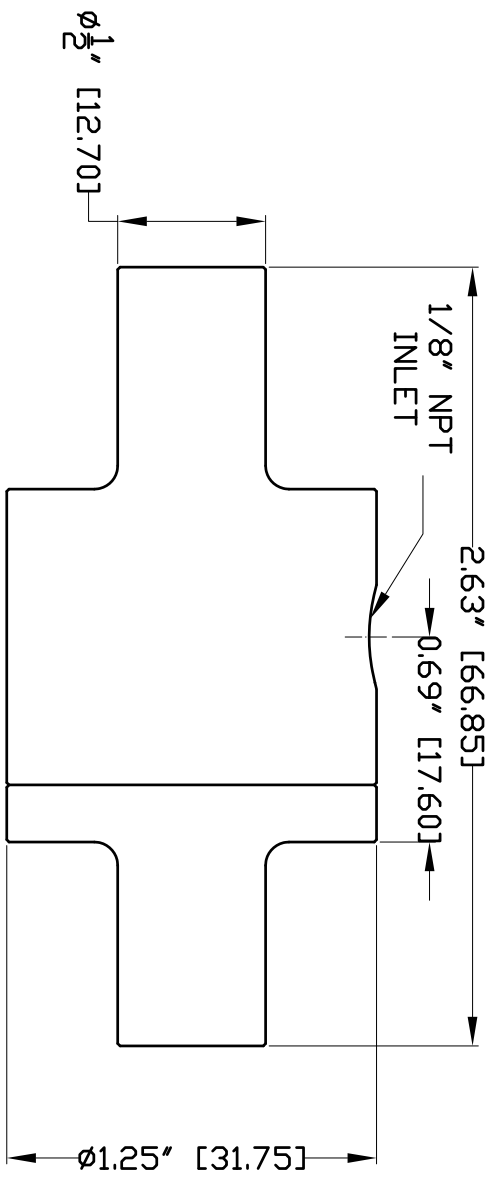
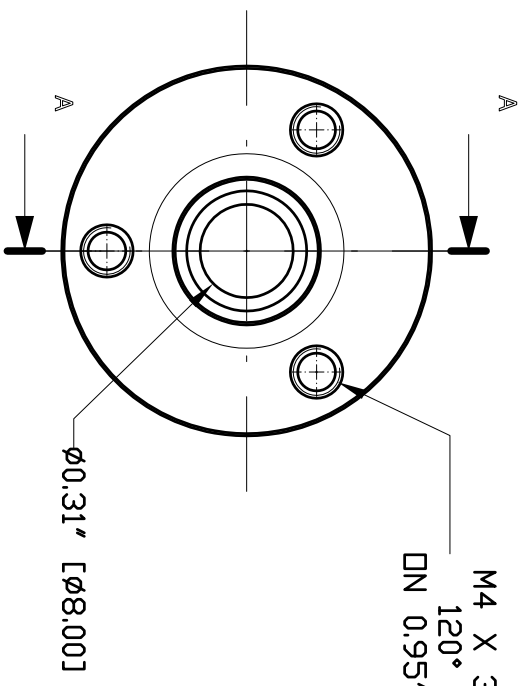


- NOTES:
1. ALL DIMENSIONS SHOWN ARE IN inches (mm)
 2. ALL DIMENSIONS SHOWN ARE FINISH OPERATIONAL DIMENSIONS WHICH INCLUDE RESIDUAL COATINGS UNLESS OTHERWISE SPECIFIED.
 3. PART TO BE FLAT PACKED PROPERLY TO AVOID ANY DAMAGE WHILE SHIPPING & HANDLING.
 4. ALL HORIZONTAL DIMENSIONS ARE SYMMETRICAL ABOUT VERTICAL CENTER LINE UNLESS OTHERWISE SPECIFIED.



Section view A-A



Front view

REVISIONS			
REV	DESCRIPTION	DATE	APPROVED
-	-	-	-

M4 X 3 HOLES,
120° APART
DN 0.95"[24] PCD

Ø0.31" [Ø8.00]

<p>REVISIONS</p> <p>1. LINE/DATE: 30/04/2016</p> <p>2. APPROVED: [Signature]</p> <p>3. AMOUNT: 2 1/2"</p> <p>4. HOLE IN ACCORDANCE WITH AND VACUUM</p>		<p>CONTRACT NUMBER</p> <p>10620 YONE STREET, UNIT 399-220, RICHMOND HILL, ON L4C 3G7</p> <p>TEL: (416) 410-1313 & FAX: (416) 410-1806 WWW.NEX-FLW.COM</p>	
<p>GENERAL</p> <p>1. DRAWING MADE IN ACCORDANCE WITH THE FOLLOWING STANDARDS:</p> <p>2. APPROVED BY: [Signature]</p> <p>3. MACHINE FINISH 125 MICRO INCH FINISH</p> <p>4. MATERIAL: 304 SS</p> <p>5. FINISH: AS FINISH</p> <p>6. BRIDGE SHOWN CORRECT AS TO 2015</p>		<p>DATE</p> <p>30/04/2016</p>	
<p>REVISIONS</p> <p>1. LINE/DATE: 30/04/2016</p> <p>2. APPROVED: [Signature]</p> <p>3. AMOUNT: 2 1/2"</p> <p>4. HOLE IN ACCORDANCE WITH AND VACUUM</p>		<p>DATE</p> <p>30/04/2016</p>	
<p>REVISIONS</p> <p>1. LINE/DATE: 30/04/2016</p> <p>2. APPROVED: [Signature]</p> <p>3. AMOUNT: 2 1/2"</p> <p>4. HOLE IN ACCORDANCE WITH AND VACUUM</p>		<p>DATE</p> <p>30/04/2016</p>	