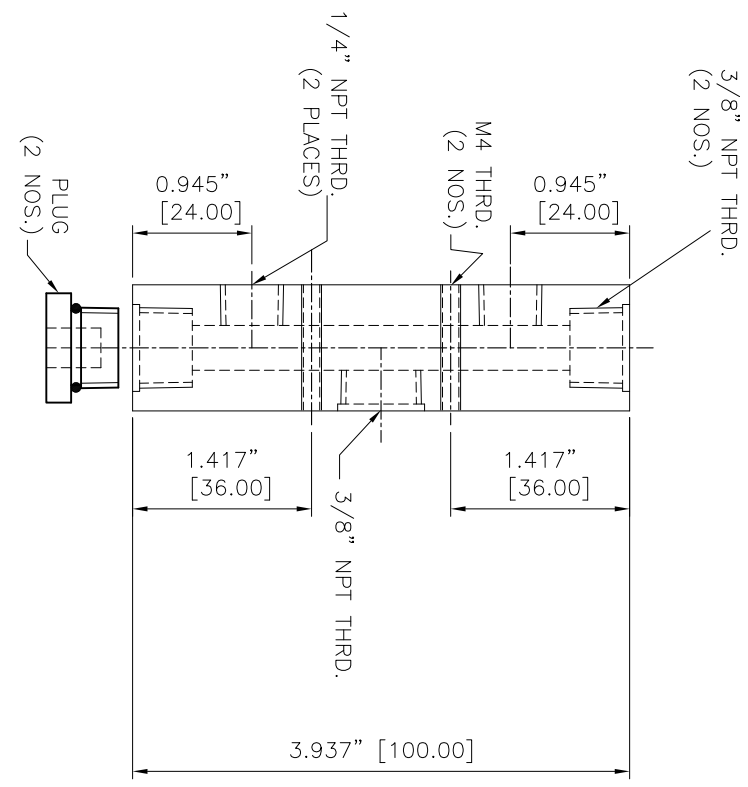
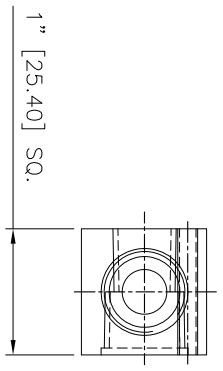


REVISIONS		DATE	APPROVED
REV	DESCRIPTION		
1			
2			

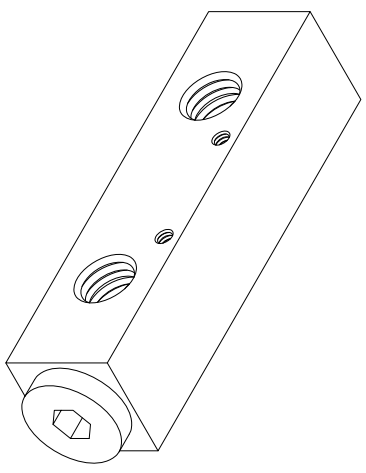
- NOTES:
- 1 ALL DIMENSIONS SHOWN ARE IN INCHES AND DIMENSIONS IN () ARE IN mm
 - 2 ALL DIMENSIONS SHOWN ARE FINISH OPERATIONAL DIMENSIONS WHICH INCLUDE RESIDUAL COATINGS UNLESS OTHERWISE SPECIFIED.
 - 3 PART TO BE FLAT PACKED PROPERLY TO AVOID ANY DAMAGE WHILE SHIPPING & HANDLING.
 - 4 ALL HORIZONTAL DIMENSIONS ARE SYMMETRICAL ABOUT VERTICAL CENTER LINE UNLESS OTHERWISE SPECIFIED.



TOP VIEW



FRONT VIEW
(without plug)



ISOMETRIC VIEW

<p>TEMP. AND/OR PROTECTION</p> <p>MATERIAL</p> <p>SS 304/SS 316/AL</p> <p>FINISH</p> <p>-</p>		<p>REQUIREMENTS - FINISHES OTHER THAN SPECIFIED</p> <p>1. DIM. ARE IN UNLESS STATED</p> <p>2. DIMENSIONS AND TOLERANCES IN ACCORDANCE WITH ASME Y14.5 (1982)</p> <p>3. MAKE FINISH 125 MICRO INCH RMS & BREAK SHARP CORNERS .005 TO .015</p> <p>4. HOLES IN ACCORDANCE WITH AND 1039T</p>	<p>CONTRACT NUMBER -</p> <p>CLIENT -</p> <p>CONTRACTOR -</p> <p>DRAWN S.P./TLL</p> <p>DESIGN ASHISH</p> <p>PRODUCT G.A.</p> <p>DATE 02/05/2014</p>	<p>TITLE</p> <p>NEX FLOW AIR PRODUCTS CORP.</p> <p>10520 YONCE STREET, UNIT 259-220 RICHMOND HILL, ON L4C 3C7</p> <p>TEL: (416) 410-1313 & FAX: (416) 410-1806 WWW.NEX-FLOW.COM</p>	<p>STRESS</p> <p>THERMAL</p> <p>Mechanical</p>	<p>MANUFACTURING</p> <p>MANIFOLD</p>	<p>SIZE</p> <p>DATE CODE</p> <p>46002</p>	<p>DWG NO</p> <p>46002</p>	<p>RELDATE</p> <p>REV</p>
<p>PART NO</p> <p>NEXT ASSEMBLY</p> <p>USED ON</p> <p>QTY PER PART NO</p>	<p>REVISIONS</p>	<p>SCALE</p> <p>1:1</p>	<p>CAD NO</p> <p>MAN-2</p>	<p>SHEET</p> <p>1 of 1</p>	<p>REVISIONS</p>	<p>DATE</p>	<p>APPROVED</p>		

OUTLINE DRAWING OF
2 PORT REGULAR FLOW MANIFOLD