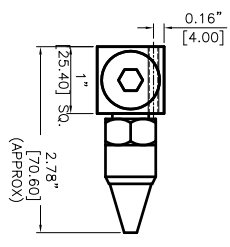
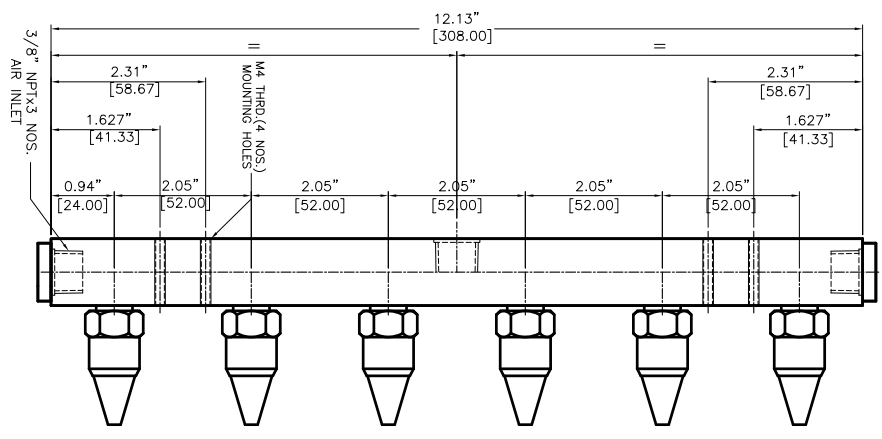
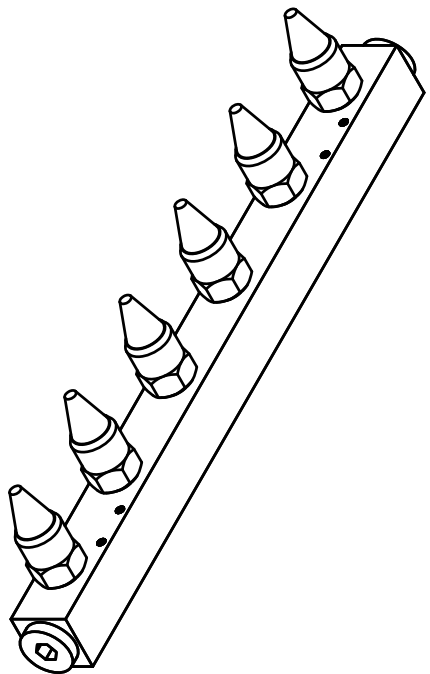


REVISIONS		DATE	APPROVED
REV	DESCRIPTION		
1	-	-	-



TEMP. AND PROTECTION 		REQUIREMENTS - FINISHES OTHER FINISHES SPECIFIED:		CONTRACT NUMBER CLIENT:	
MATERIAL AL/SS304/SS316L		1. FINISH AS PER SPECIFICATION 2. DIMENSIONS AND TOLERANCES IN ACCORDANCE WITH ASME Y14.5 (1982) 3. MACHINE FINISH 125 MICRO INCH RMS 4. BREAK SHARP CORNERS .005 TO .015		CONTRACTOR: DATE: 28/09/2014 DRAWN: CHIRAGS CHECKED: JES APPROVED: JES QA:	
FINISH -		1. LINEAR DIMS: .004 = .005 .005 = .010 .010 = .015 2. ANGLES = ± 1/2° 3. ROUNDOFF .010 MIN 4. HOLES IN ACCORDANCE WITH AND 1039T		MANUFACTURING: MATERIALS: ELECTRICAL:	
PART NO -		USED ON -		SIZE -	
NEXT ASSEMBLY -		QTY PER PART NO -		DATE CODE 46006+47004	
5		4		3	
8		7		6	
6		5		4	
5		4		3	
4		3		2	
3		2		1	
2		1		0	
1		0		0	

NEX FLOW AIR PRODUCTS CORP.
 10520 YONCE STREET, UNIT 259-220 RICHMOND HILL, ON L4C 3C7
 TEL: (416) 410-1313 & FAX: (416) 410-1806 WWW.NEX-FLOW.COM
6 PORT STANDARD FLOW MANIFOLD WITH 47004 NOZZLE

