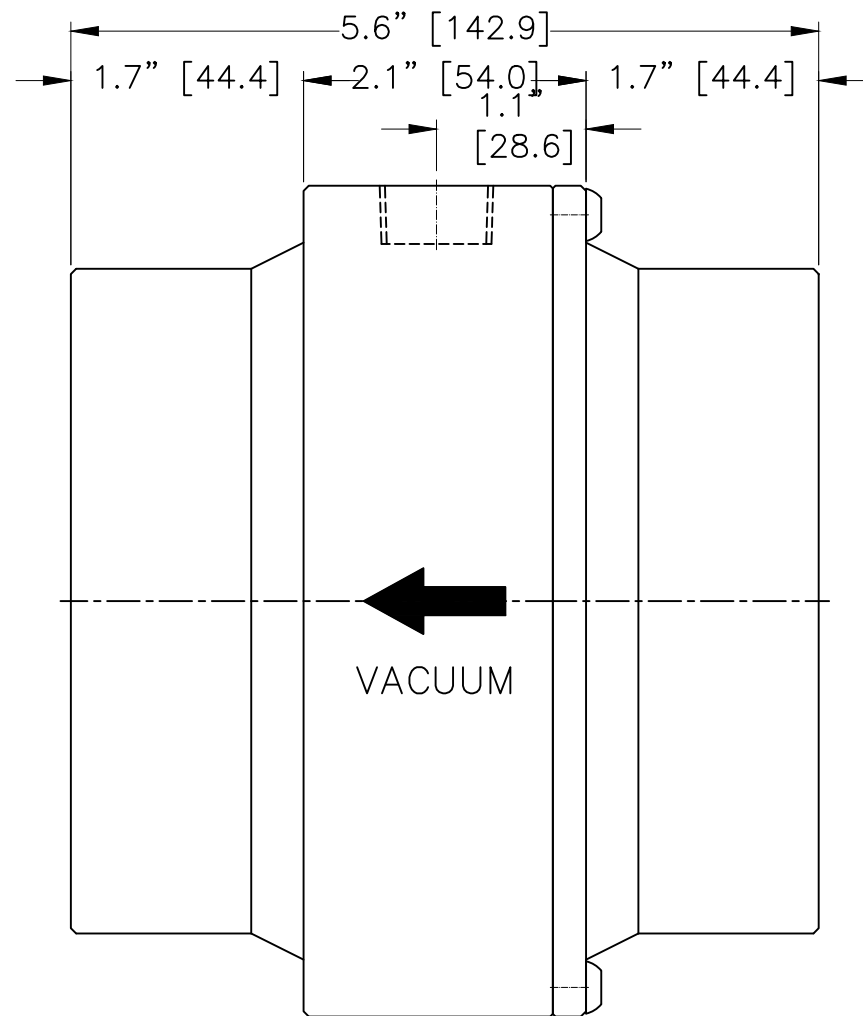
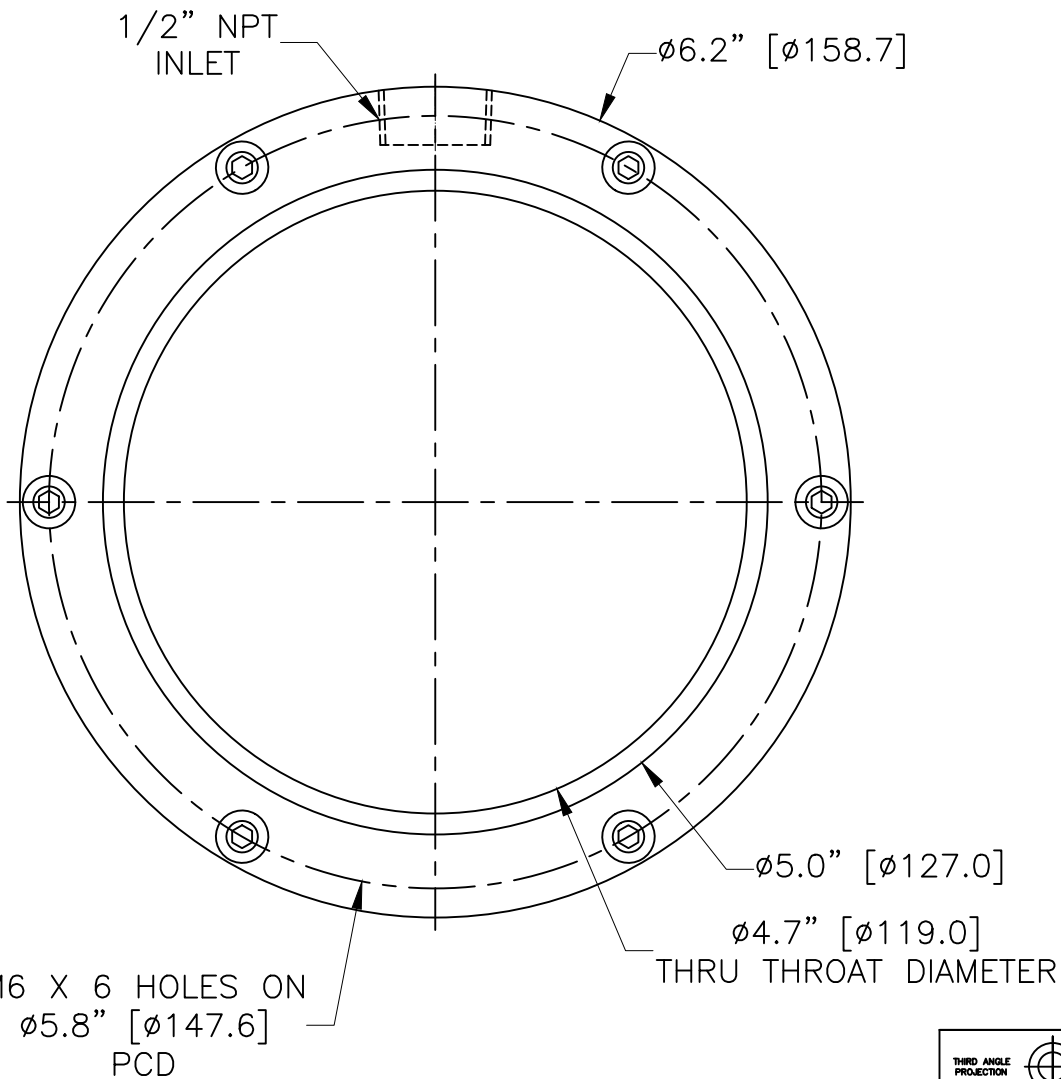


# 5" AL RV OUTLINE



PROPRIETARY  
REPRODUCTION OR DISTRIBUTION  
WITHOUT WRITTEN CONSENT OF  
NEXFLOW™ IS PROHIBITED.

THIRD ANGLE PROJECTION		REQUIREMENTS—UNLESS OTHERWISE SPECIFIED	CONTRACT NUMBER —	NEX FLOW AIR PRODUCTS CORP. 10520 YONGE STREET, UNIT 35B-220, RICHMOND HILL, ON L4C 3C7 TEL: (416) 410-1313 & FAX: (416) 410-1806 www.nex-flow.com			
		GENERAL	CLIENT —	TITLE <b>5" AL RING VAC OUTLINE</b>			
MATERIAL	ALUMINIUM	1. DIMS ARE IN INCHES (DIM.)	CONTRACTOR —				
FINISH	BLUE ANODIZING	2. DIMENSIONING AND TOLERANCING IN ACCORDANCE WITH ANS Y14.5 (1982)	—	CHECKED	ASHISH	PROJECT	—
		3. MACHINE FINISH 125 MICRO INCH RMS	—	STRESS	—	MANUFACTURING	—
		4. INTERNAL RADII .015" (0.4)	—	THERMAL	—	MATERIALS	—
		5. BREAK SHARP CORNERS 0.005" (0.1) TO 0.015" (0.4)	—	MECHANISM	—	ELECTRICAL	—
		LIMITS	—	SCALE	1:1	DWG NO	—
		1. LINEAR DIMS.	—	SIZE	C	CAGE CODE	—
		.XXX = .005" (0.1)	—	PART NO	30008-OL	RELEASE	P
		.XX = .010" (0.3)	—	REV	1	SHEET	1
		.X = .030" (0.8)	—	OF	1		
		2. ANGLES = ± 1/2°	—				
		3. RUNOUT .010 TIR	—				
		4. HOLES IN ACCORDANCE WITH AND 10387	—				