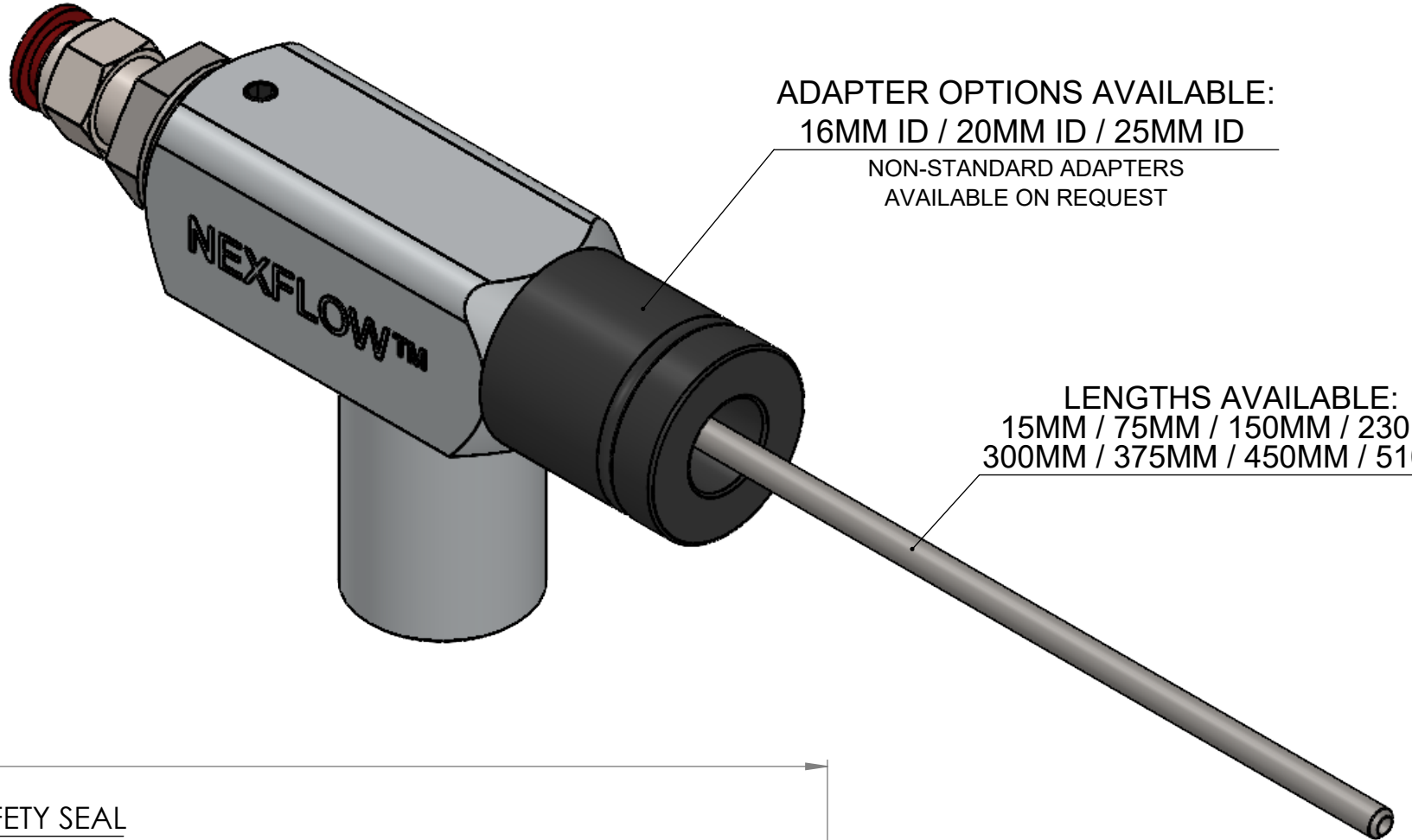


4

3

2

1



ADAPTER OPTIONS AVAILABLE:
 16MM ID / 20MM ID / 25MM ID
 NON-STANDARD ADAPTERS
 AVAILABLE ON REQUEST

LENGTHS AVAILABLE:
 15MM / 75MM / 150MM / 230MM
 300MM / 375MM / 450MM / 510MM

APPROX. 11.37

SAFETY SEAL

NEXFLOW™

3/8" NPT

LENGTH OPTIONS AVAILABLE

APPROX. 2.86

B

B

A

A

PROPRIETARY AND CONFIDENTIAL
 THE INFORMATION CONTAINED IN THIS DRAWING IS THE SOLE PROPERTY OF NEXFLOW. ANY REPRODUCTION IN PART OR AS A WHOLE WITHOUT THE WRITTEN PERMISSION OF NEXFLOW IS PROHIBITED.

		UNLESS OTHERWISE SPECIFIED:		NAME	DATE	NEX FLOW AIR PRODUCTS CORP. 10520 YOUNG STREET, UNIT 35B220, RICHMOND HILL, ON, L4C 3C7 TEL: (416) 410-1313 & FAX: (416) 410-1806 www.nexflow.com	
		DIMENSIONS ARE IN INCHES TOLERANCES: FRACTIONAL ± ANGULAR: MACH ± BEND ± TWO PLACE DECIMAL ± THREE PLACE DECIMAL ±		DRAWN	AMMAD	NOV/16/21	TITLE: AUTOMATED BLIND HOLE CLEANER
		INTERPRET GEOMETRIC TOLERANCING PER:		CHECKED			SIZE MODEL #: B 48105
		MATERIAL		ENG APPR.			REV 1
		FINISH		MFG APPR.			SCALE: 1:1 WEIGHT:
NEXT ASSY	USED ON			Q.A.			SHEET 1 OF 1
APPLICATION		DO NOT SCALE DRAWING		COMMENTS:			

4

3

2

1