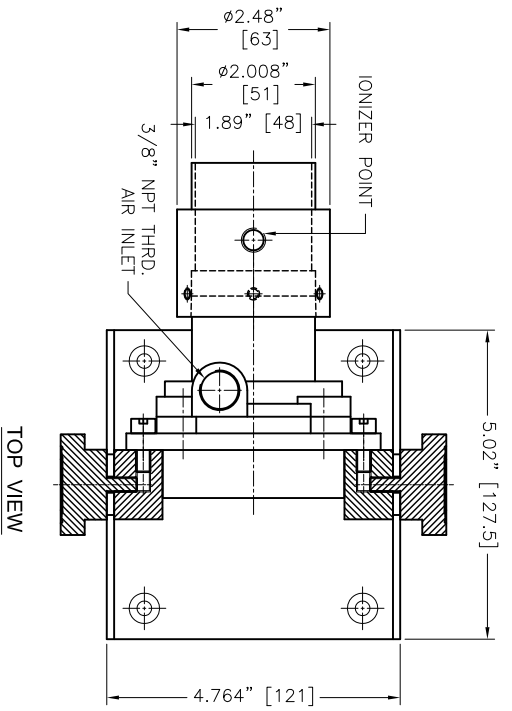
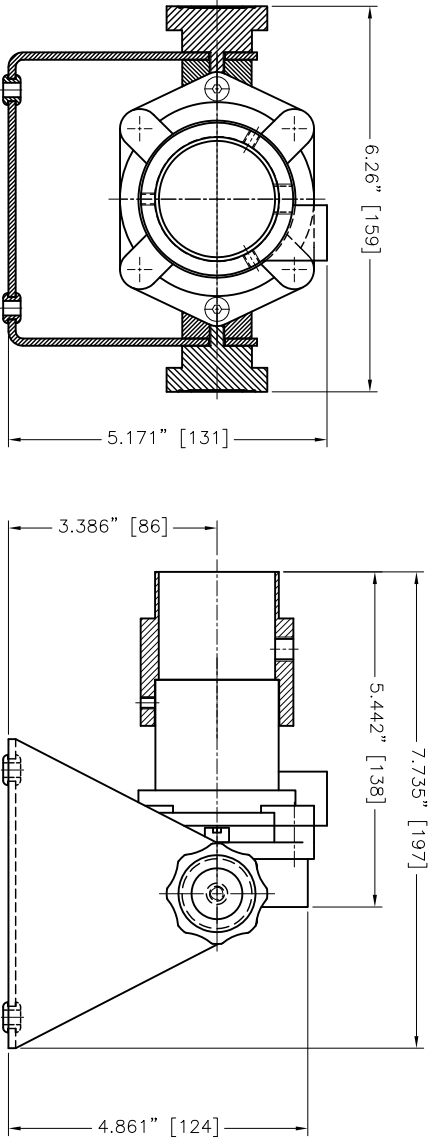


- NOTES:
- 1 ALL DIMENSIONS SHOWN ARE IN INCHES AND DIMENSIONS IN $\sqrt{}$ ARE IN mm
 - 2 ALL DIMENSIONS SHOWN ARE FINISH OPERATIONAL DIMENSIONS WHICH INCLUDE RESIDUAL COATINGS UNLESS OTHERWISE SPECIFIED.
 - 3 PART TO BE FLAT PACKED PROPERLY TO AVOID ANY DAMAGE WHILE SHIPPING & HANDLING.
 - 4 ALL HORIZONTAL DIMENSIONS ARE SYMMETRICAL ABOUT VERTICAL CENTER LINE UNLESS OTHERWISE SPECIFIED.



TOP VIEW



SIDE VIEW

FRONT VIEW

REVISIONS		DATE	APPROVED
REV	DESCRIPTION		
-	-	-	-

REVISIONS		DATE	APPROVED
REV	DESCRIPTION		
-	-	-	-

TITLE		NEX FLOW AIR PRODUCTS CORP.	
OUTLINE DRAWING FOR		10200 YONGE STREET, UNIT 158-200, RICHMOND HILL, ON L4B 3G7	
ION BLASTER BEAM		TEL: (416) 410-1310 & FAX: (416) 410-1000 WWW.NEX-FLOW.COM	
DATE	20/2/2014	DESIGN	SEAN L
BY	ASHISH	CHECKED	
SCALE	1:1	DATE	
CAD CODE		SIZE	C
DWG NO	17040	REV	P
SHEET	1	OF	1

REQUIREMENTS - FINISHES		CONTRACT NUMBER -	
GENERAL		CLIENT	
1. UNLESS OTHERWISE SPECIFIED		CONTRACTOR	
2. DIMENSIONS AND TOLERANCES IN PARENT PARENTHESIS		DATE	
3. MACHINE FINISH UNLESS OTHERWISE SPECIFIED		DRAWN	
4. INTERNAL RADIUS R0.15		CHECKED	
5. BREAK SHOWN COMMENTS 2005 TO 0115		PROJECT	
UNITS		MATERIALS	
1. LINEAR DIMS -		ELECTRICAL	
INCHES			
2. ANGLES - 3/16"			
3. HOLE/OT DIA TIR			
4. HOLES IN ACCORDANCE WITH AISO 10087			

THIRD ANGLE PROJECTION	
MATERIAL	
FINISH	
PART NO.	
NEXT ASSEMBLY	
USED ON	
OUTER PART NO.	