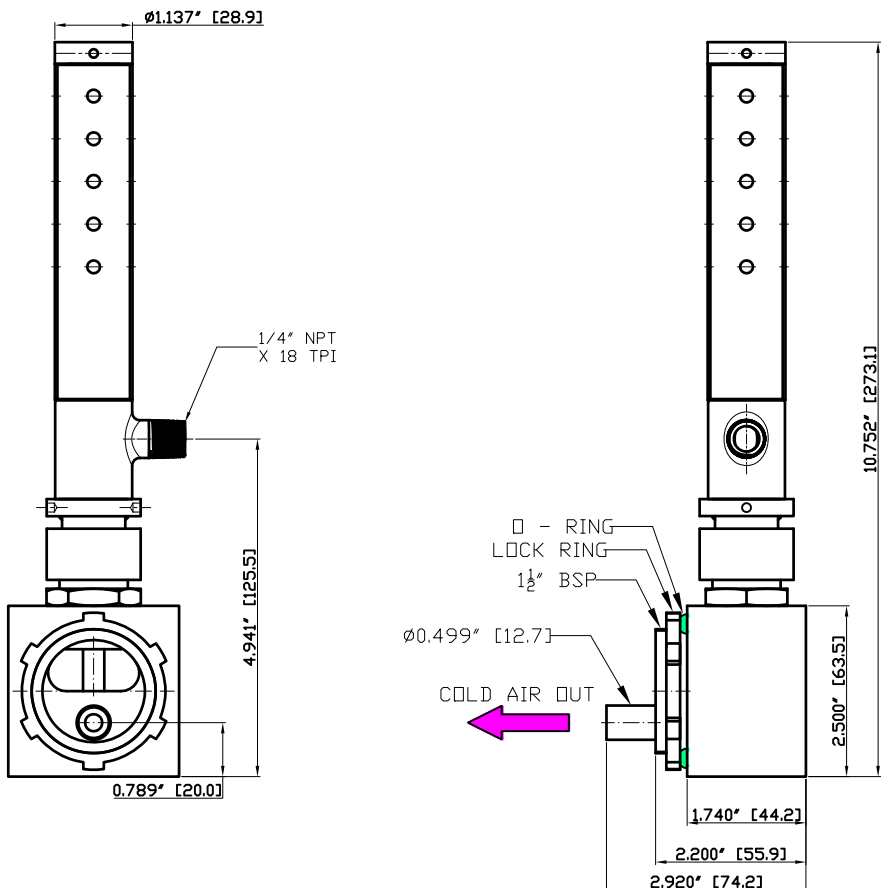
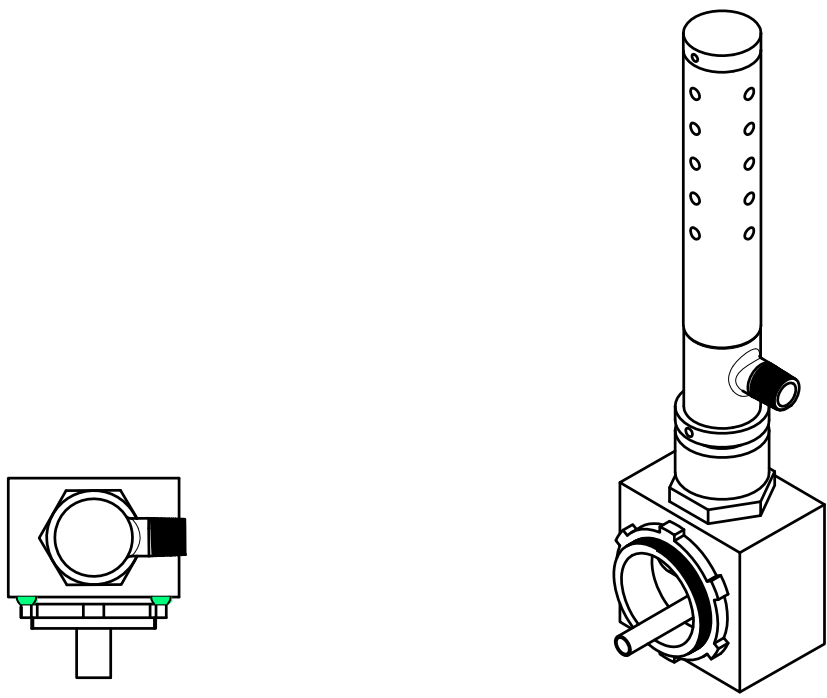


REVISIONS			
REV	DESCRIPTION	DATE	APPROVED
1			
2			



1/4" NPT
X 18 TPI

□ - RING
LOCK RING
1 1/2" BSP

COLD AIR OUT

THIRD ANGLE PROJECTION	
MATERIAL	S.S. 304
FINISH	

REQUIREMENTS—UNLESS OTHERWISE SPECIFIED	
GENERAL	
1. DIMS ARE IN INCHES (MM)	
2. INTERNAL RADII .015	
3. BREAK SHARP CORNERS	
LIMITS	
1. LINEAR DIMS.	
.XXX = .005	
.XX = .010	
.X = .100	
2. ANGLES = ± 1/2°	

CONTRACT NUMBER —	
CLIENT —	
CONTRACTOR —	
DRAWN	DATE
CHIRAG	18/03/2015
DESIGN	CHECKED
—	ASHISH
PROJECT	Q.A.
—	—
STRESS	MANUFACTURING
—	—
THERMAL	MATERIALS
—	—
MECHANISM	ELECTRICAL
—	—

NEX FLOW AIR PRODUCTS CORP. 10520 YONGE STREET, UNIT 35B-220, RICHMOND HILL, ON L4C 3C7 TEL.: (416) 410-1313 & FAX: (416) 410-1806 www.nex-flow.com					
TITLE: OUTLINE DRAWING OF NEMA TYPE-12 PANEL COOLER WITH SIDE MOUNT					
SIZE	CAGE CODE	DWG. NO.	RELEASE	REV	
C	—	6000XA+69100	P	0	
SCALE	CAD NO	PCSM-12	SHEET	OF	
1:1			1	1	