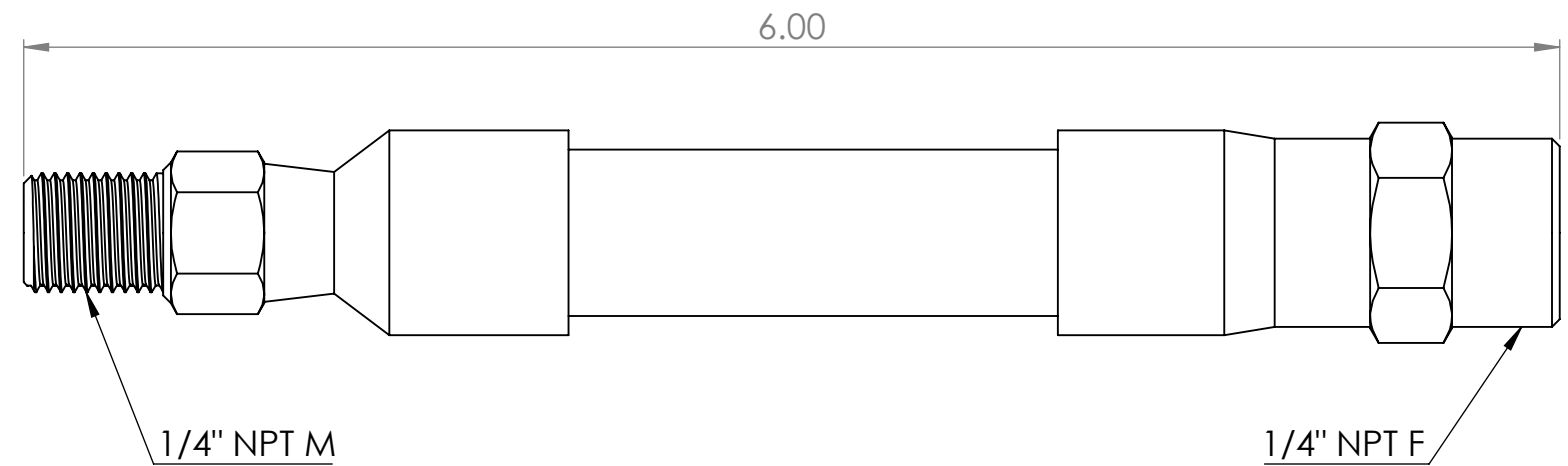
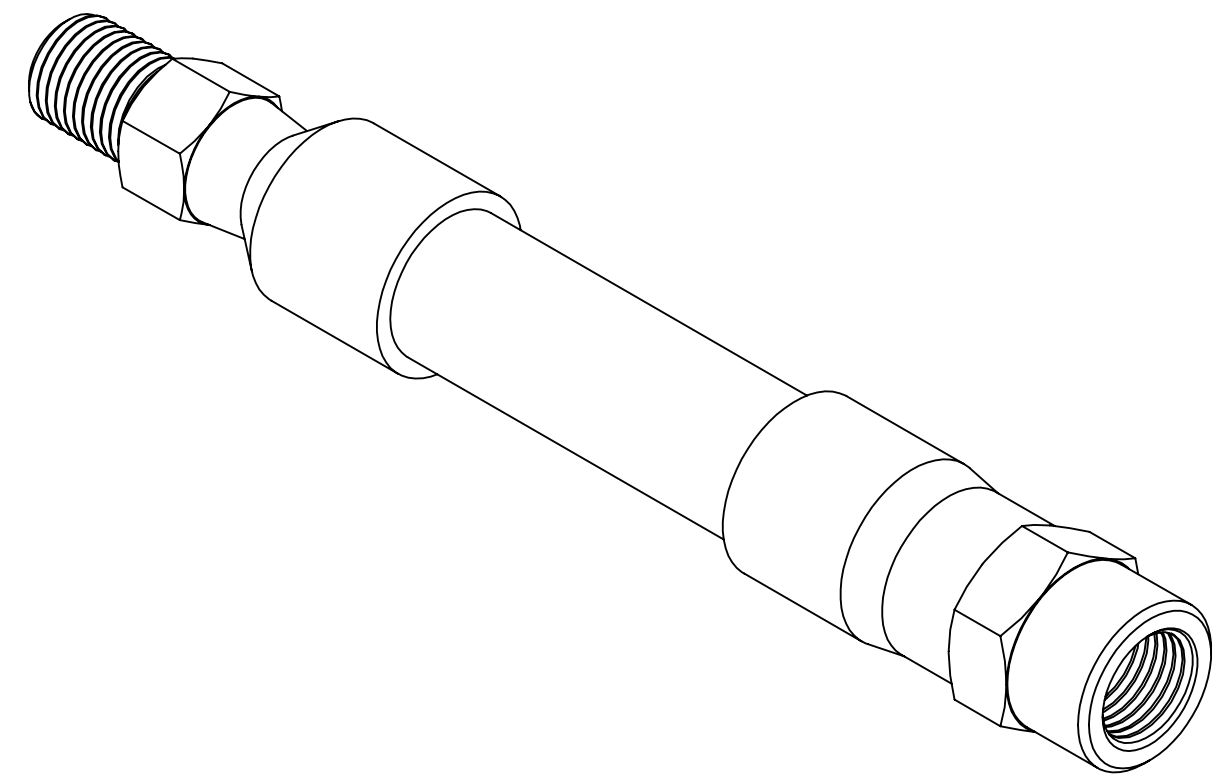


4

3

2

1



B

B

A

A

**PROPRIETARY AND CONFIDENTIAL**  
 THE INFORMATION CONTAINED IN THIS DRAWING IS THE SOLE PROPERTY OF NEXFLOW. ANY REPRODUCTION IN PART OR AS A WHOLE WITHOUT THE WRITTEN PERMISSION OF NEXFLOW IS PROHIBITED.

		UNLESS OTHERWISE SPECIFIED:		NAME	DATE
		DIMENSIONS ARE IN INCHES		DRAWN	AMMAD OCT/28/21
		TOLERANCES:		CHECKED	
		FRACTIONAL ±		ENG APPR.	
		ANGULAR: MACH ± BEND ±		MFG APPR.	
		TWO PLACE DECIMAL ±		Q.A.	
		THREE PLACE DECIMAL ±			
		INTERPRET GEOMETRIC TOLERANCING PER:			
		MATERIAL			
		FINISH			
NEXT ASSY	USED ON	APPLICATION		DO NOT SCALE DRAWING	

**NEX FLOW™ AIR PRODUCTS CORP.**  
 10520 YOUNG STREET, UNIT 35B220, RICHMOND HILL, ON, L4C 3C7  
 TEL: (416) 410-1313 & FAX: (416) 410-1806 [www.nexflow.com](http://www.nexflow.com)

TITLE: **6" EXTRA STIFF RIGID FLEX HOSE**

SIZE	MODEL #:	REV
<b>B</b>	<b>6RF-MF-ES</b>	<b>1</b>

SCALE: 2:1.5 WEIGHT: SHEET 1 OF 1

4

3

2

1