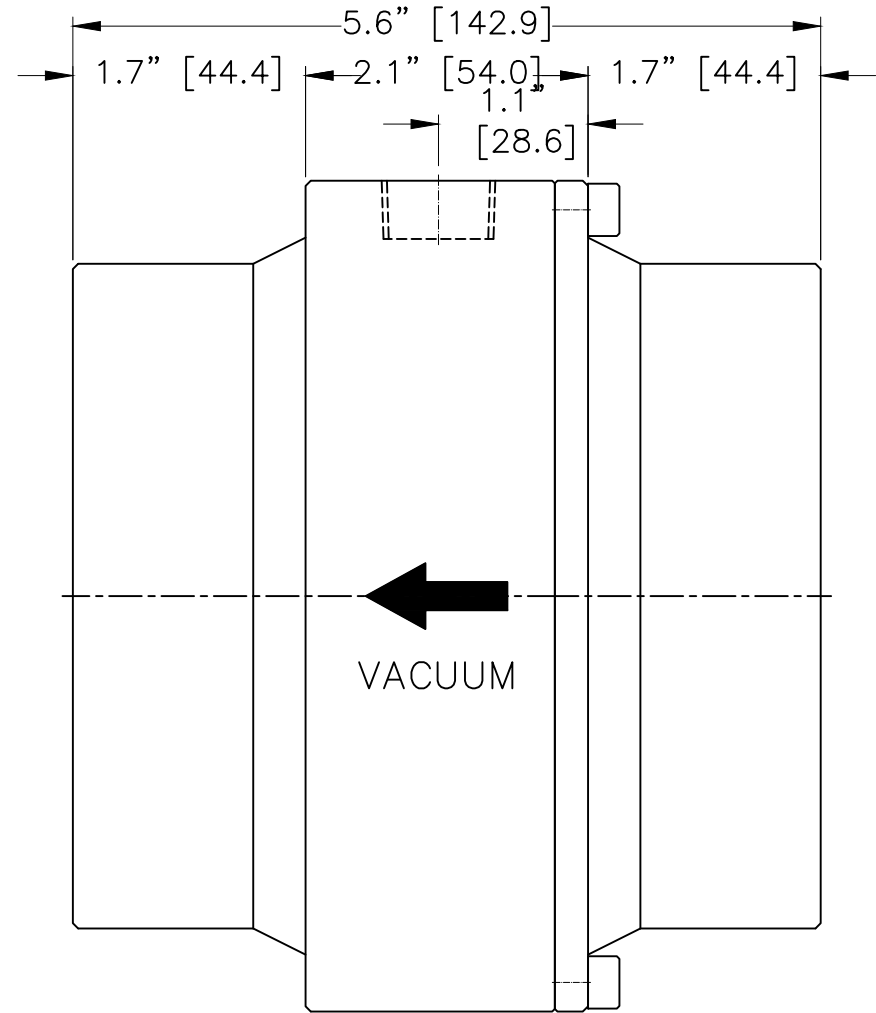
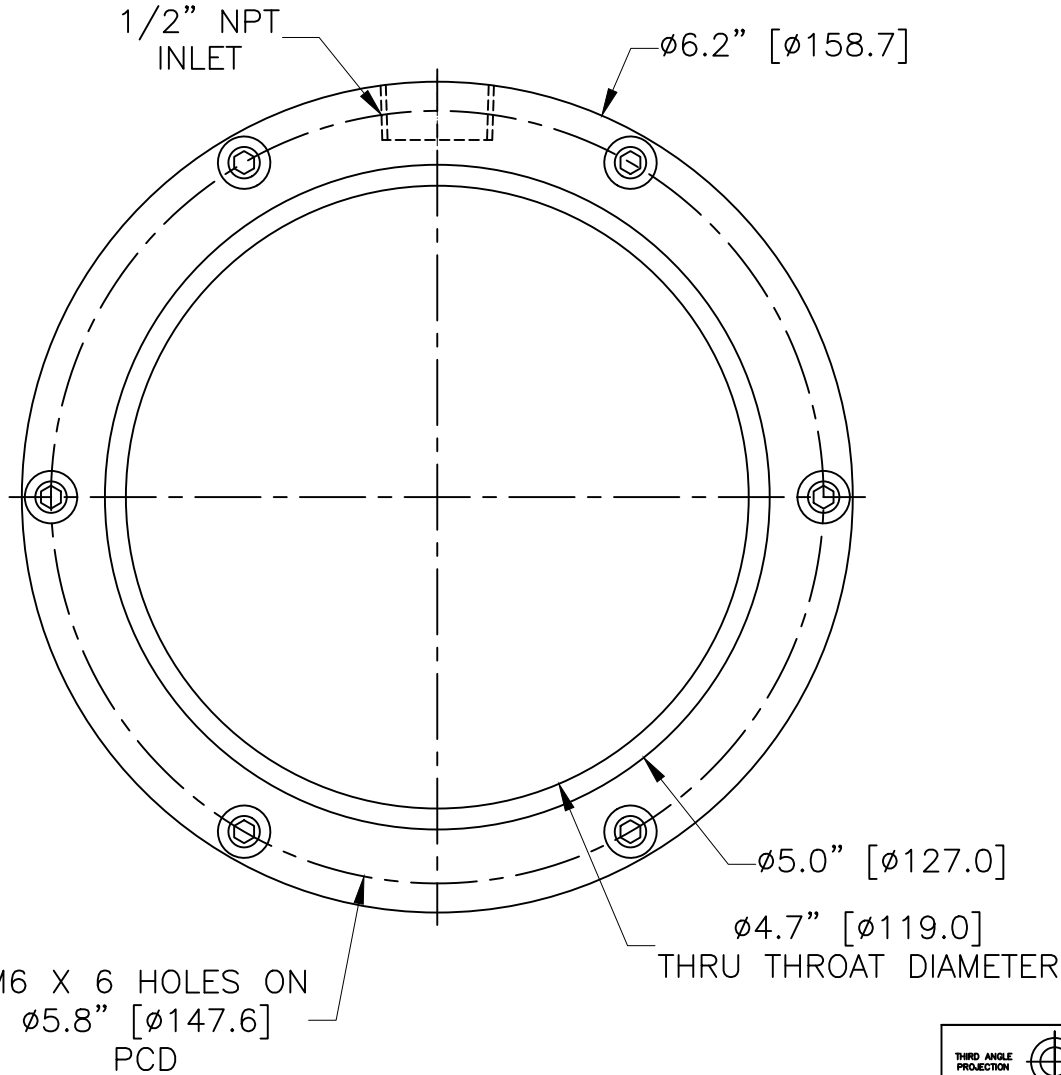


# 5" SS-316L RV OUTLINE



PROPRIETARY  
REPRODUCTION OR DISTRIBUTION  
WITHOUT WRITTEN CONSENT OF  
NEXFLOW™ IS PROHIBITED.

THIRD ANGLE PROJECTION		REQUIREMENTS—UNLESS OTHERWISE SPECIFIED	CONTRACT NUMBER —	NEX FLOW AIR PRODUCTS CORP. 10520 YONGE STREET, UNIT 35B-220, RICHMOND HILL, ON L4C 3C7 TEL: (416) 410-1313 & FAX: (416) 410-1806 www.nex-flow.com						
		GENERAL	CLIENT —	TITLE 5" SS-316L RING VAC OUTLINE						
MATERIAL	SS-316L	1. DIMS ARE IN INCHES (DIM.) 2. DIMENSIONING AND TOLERANCING IN ACCORDANCE WITH ANSI Y14.5 (1982) 3. MACHINE FINISH 125 MICRO INCH RMS 4. INTERNAL RADII .015" (0.4) 5. BREAK SHARP CORNERS 0.005" (0.1) TO 0.015" (0.4)	CONTRACTOR —	DATE 10/03/2018	CHECKED ASHISH	DESIGN ASHISH	PROJECT G.A.			
FINISH	BUFFING	LIMITS	STRESS —	MANUFACTURING —	SCALE 1:1	SIZE C	CAGE CODE —	PART NO 30008S-316L-OL	RELEASE P	REV 1
		1. LINEAR DIMS. .XXX = .005" (0.1) .XX = .010" (0.3) .X = .030" (0.8) 2. ANGLES = ± 1/2° 3. RUNOUT .010 TIR 4. HOLES IN ACCORDANCE WITH AND 10387	MECHANISM —	ELECTRICAL —	DWG NO	SHEET 1	OF 1			