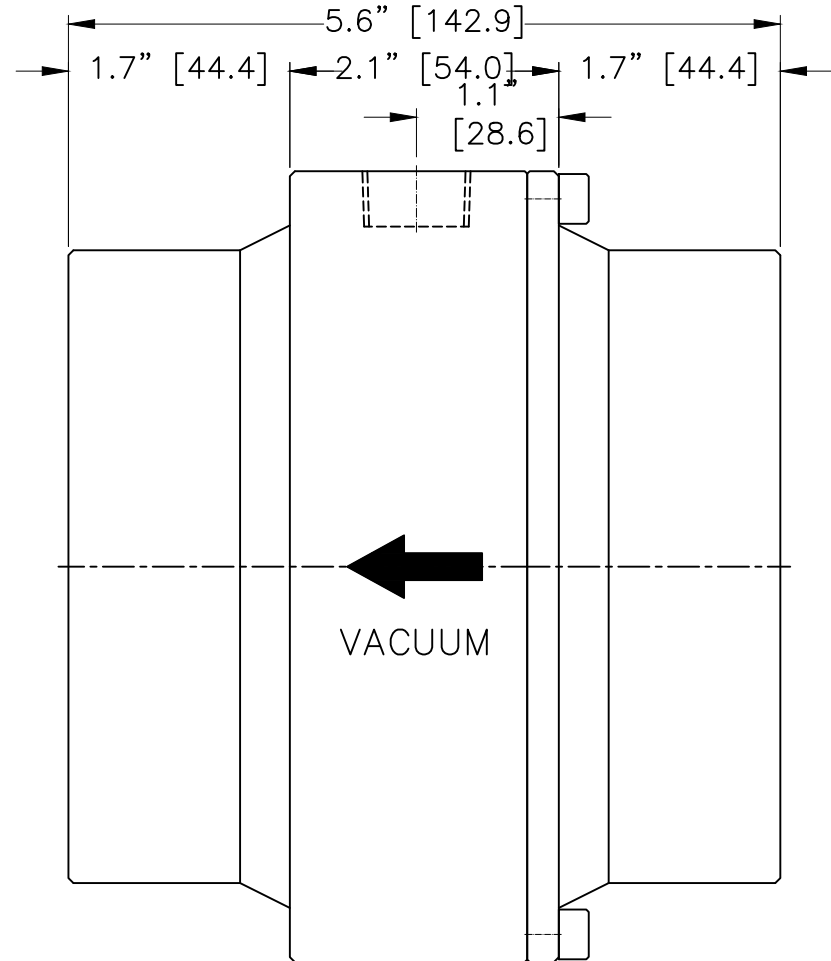
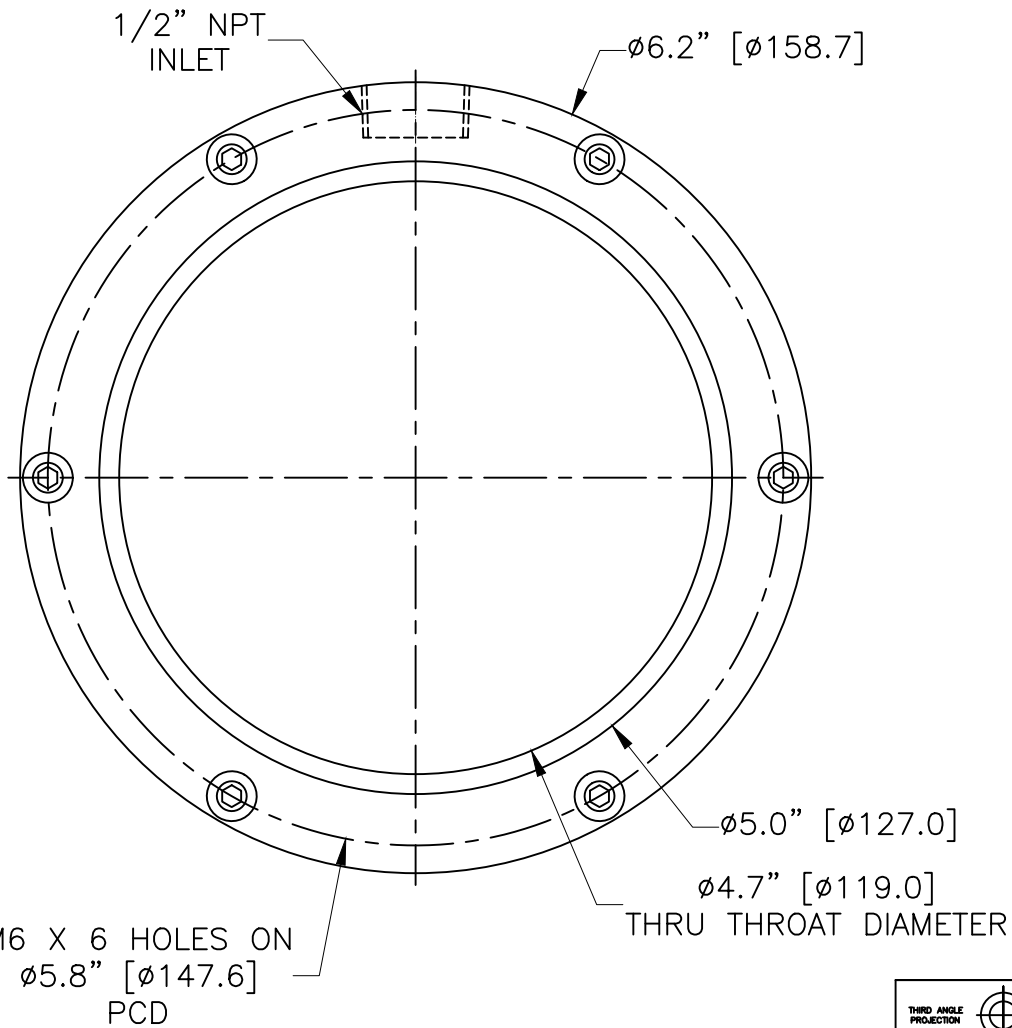


5" SS-304 RV OUTLINE



PROPRIETARY
REPRODUCTION OR DISTRIBUTION
WITHOUT WRITTEN CONSENT OF
NEXFLOW™ IS PROHIBITED.

THIRD ANGLE PROJECTION		REQUIREMENTS-UNLESS OTHERWISE SPECIFIED		CONTRACT NUMBER --		NEX FLOW AIR PRODUCTS CORP.					
		GENERAL		CLIENT --		10520 YONGE STREET, UNIT 35B-220, RICHMOND HILL, ON L4C 3C7					
MATERIAL	SS-304	1. DIMS ARE IN INCHES (MM)		CONTRACTOR --		TEL: (416) 410-1313 & FAX: (416) 410-1806 www.nex-flow.com					
		2. DIMENSIONING AND TOLERANCING IN ACCORDANCE WITH ANSI Y14.5 (1982)		DATE	10/03/2018	TITLE					
FINISH	BUFFING	3. MACHINE FINISH 125 MICRO INCH RMS		DESIGN	CHIRAG.S	5" SS-304 RING VAC OUTLINE					
		4. INTERNAL RADI .015" (0.4)		CHECKED	ASHISH						
		5. BREAK SHARP CORNERS 0.005" (0.1) TO 0.015" (0.4)		PROJECT	G.A.	SIZE		CAGE CODE	PART NO	RELEASE	REV
		LIMITS				C		--	30008S-0L	P	1
		1. LINEAR DIMS.		STRESS		MANUFACTURING		ELECTRICAL		SCALE	
		XXX = .005" (0.1)		--		--		--		1:1	
		XX = .010" (0.3)		THERMAL		MATERIALS		MECHANISM		DWG NO	
		X = .030" (0.8)		--		--		--		SHEET 1 OF 1	
		2. ANGLES ± 1/2°		--		--		--		--	
		3. RUNOUT .010 TIR		--		--		--		--	
		4. HOLES IN ACCORDANCE WITH AND 10387		--		--		--		--	