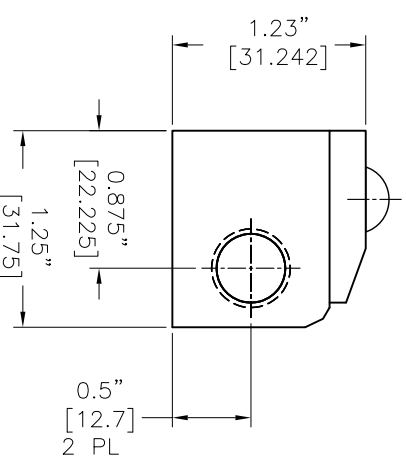
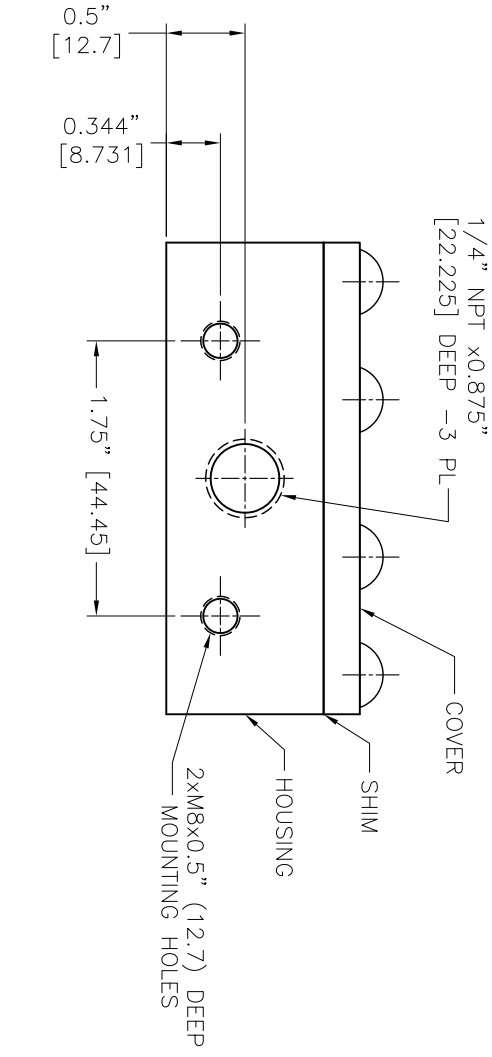
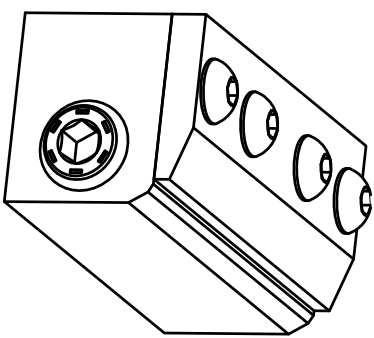
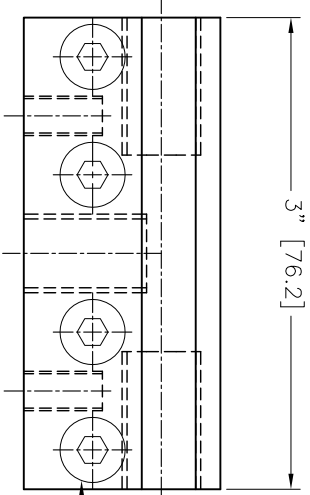


REVISIONS		
REV	DESCRIPTION	DATE
1		

- NOTES:
- 1 ALL DIMENSIONS SHOWN ARE FINISH OPERATIONAL DIMENSIONS WHICH INCLUDE RESIDUAL COATINGS UNLESS OTHERWISE SPECIFIED.
 - 2 PART TO BE PACKED PROPERLY TO AVOID ANY DAMAGE WHILE SHIPPING & HANDLING.
 - 3 ALL HORIZONTAL DIMENSIONS ARE SYMMETRICAL ABOUT VERTICAL CENTER LINE UNLESS OTHERWISE SPECIFIED.



		OTHERWISE SPECIFIED	
MATERIAL ALUMINUM/SS-304		CONTRACT NUMBER -	
FINISH -		CLIENT -	
5 IN ACCORDANCE WITH AND 10387		CONTRACTOR -	
DATE 03/09/2014		TITLE NEX FLOW AIR PRODUCTS CORP. 10520 YONGE STREET, UNIT 259-220, RICHMOND HILL, ON L4C 3C7 TEL: (416) 410-5113 & FAX: (416) 410-1806 www.nex-flow.com	
DESIGN LES		DATE 03/09/2014	
PROJECT -		DESIGNED ASHISH	
STAGES -		QA -	
TERMINAL -		MANUFACTURING -	
REWORKS -		MATERIALS -	
ELECTRICAL -		SIZE C	
SCALE 1:1		CAGE CODE -	
CAD NO SAK-03		DWG NO 10003	
SHEET 1		RELEASE P	
OF 1		REV 1	