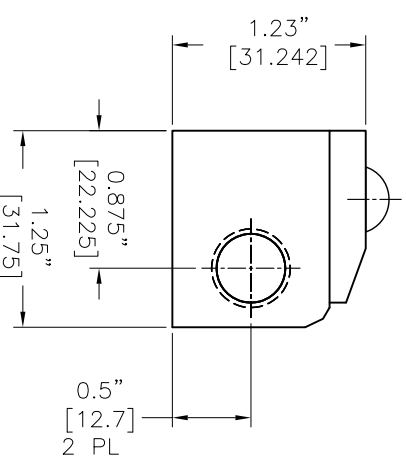
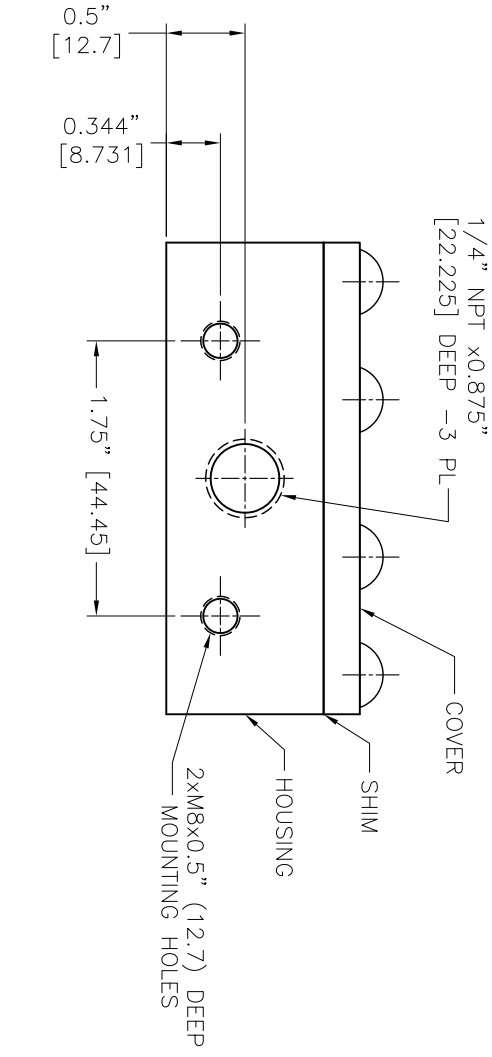
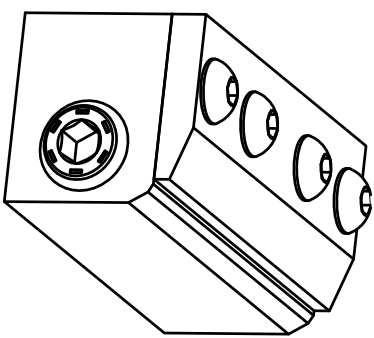
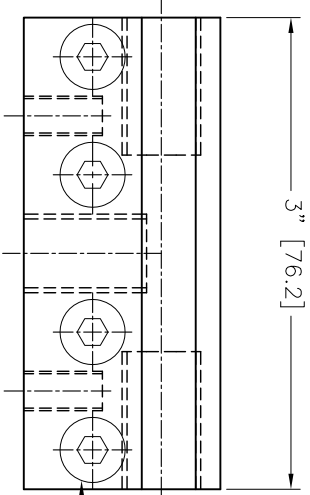


REVISIONS		
REV	DESCRIPTION	DATE
1		

- NOTES:
- 1 ALL DIMENSIONS SHOWN ARE FINISH OPERATIONAL DIMENSIONS WHICH INCLUDE RESIDUAL COATINGS UNLESS OTHERWISE SPECIFIED.
 - 2 PART TO BE PACKED PROPERLY TO AVOID ANY DAMAGE WHILE SHIPPING & HANDLING.
 - 3 ALL HORIZONTAL DIMENSIONS ARE SYMMETRICAL ABOUT VERTICAL CENTER LINE UNLESS OTHERWISE SPECIFIED.



<p>THIRD ANGLE PROJECTION</p>		OTHERWISE SPECIFIED	
<p>MATERIAL</p> <p>ALUMINUM/SS-304</p>		<p>FINISH</p> <p>-</p>	
<p>CONTRACT NUMBER -</p> <p>CLIENT -</p> <p>CONTRACTOR -</p>		<p>DATE</p> <p>03/09/2014</p>	
<p>TITLE</p> <p>3" STANDARD AIR BLADE AIR KNIFE</p>		<p>DESIGN</p> <p>LES</p>	
<p>SCALE</p> <p>1:1</p>		<p>PROJECT</p> <p>ASHISH</p>	
<p>SIZE</p> <p>C</p>		<p>MANUFACTURING</p> <p>SAK</p>	
<p>CAD NO</p> <p>SAK-03</p>		<p>MATERIALS</p> <p>ELECTRICAL</p>	
<p>DWG NO</p> <p>10003</p>		<p>RELEASE</p> <p>P</p>	
<p>SHEET</p> <p>1</p>		<p>REV</p> <p>1</p>	

NEX FLOW AIR PRODUCTS CORP.
10520 YONGE STREET, UNIT 259-220, RICHMOND HILL, ON L4C 3C7
TEL: (416) 410-5113 & FAX: (416) 410-1806 www.nex-flow.com