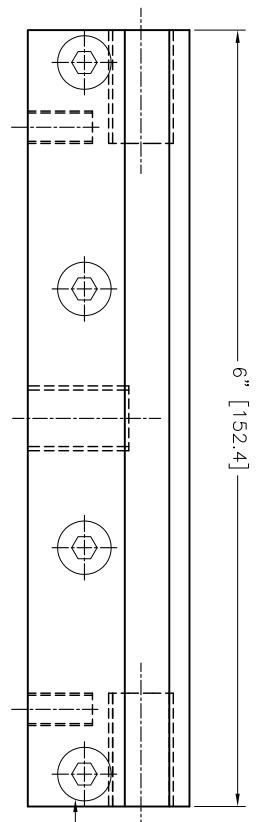
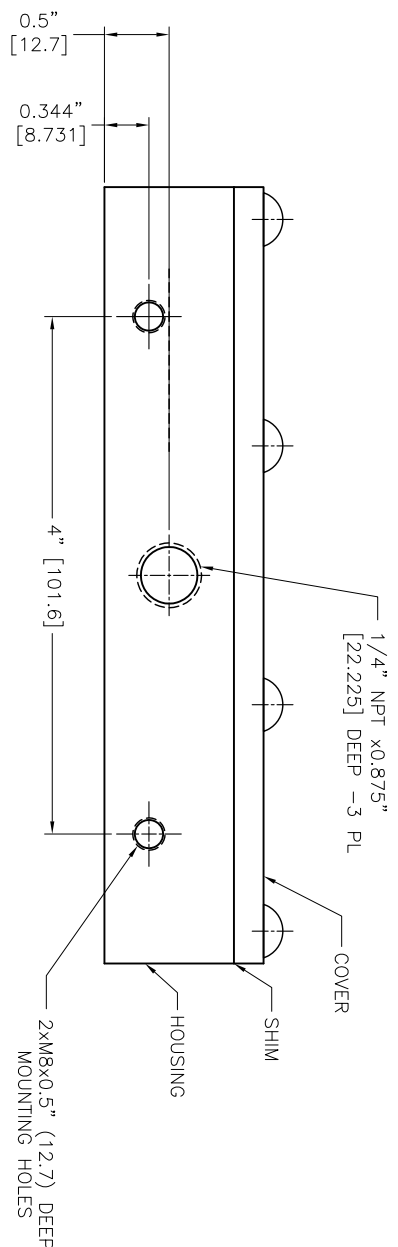
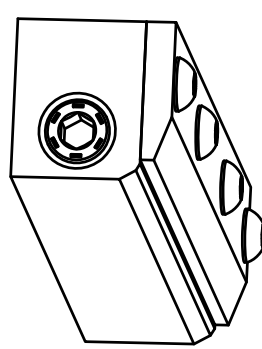


REVISIONS		
REV	DESCRIPTION	DATE
1	-	

- NOTES:
- 1 ALL DIMENSIONS SHOWN ARE FINISH OPERATIONAL DIMENSIONS WHICH INCLUDE RESIDUAL COATINGS UNLESS OTHERWISE SPECIFIED.
  - 2 PART TO BE PACKED PROPERLY TO AVOID ANY DAMAGE WHILE SHIPPING & HANDLING.
  - 3 ALL HORIZONTAL DIMENSIONS ARE SYMMETRICAL ABOUT VERTICAL CENTER LINE UNLESS OTHERWISE SPECIFIED.



M6 HEX. LN KEY ROUND STAINLESS STEEL SCREWS



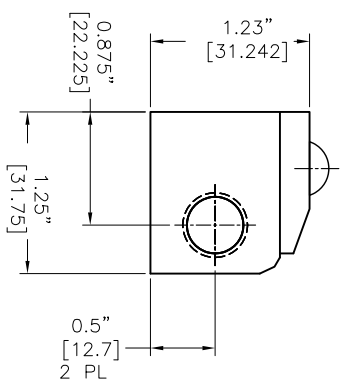
1/4" NPT x0.875" [22.225] DEEP -3 PL

COVER

SHIM

HOUSING

2xM8x0.5" (12.7) DEEP MOUNTING HOLES



<b>REQUIREMENTS-UNLESS OTHERWISE SPECIFIED</b> GENERAL 1. DIMS ARE IN INCHES (MM) 2. DIMS SHOWN AND TOLERANCES IN PARENTHESES (MM) 3. MACHINE FINISH 125 MICRO INCH RMS 4. INTERNAL RADI R015 5. BREAK SHAP CORNERS 009 TO 015 LIMITS 1. LINEAR DIMS ±.005 ±.010 ±.015 2. ANGLES = ±1/2° 3. ROUNDT 010 TR 4. HOLES IN ACCORDANCE WITH AND 103B7		<b>CONTRACT NUMBER -</b> CLIENT - CONTRACTOR - DRAWN - CHECKED - DESIGNED - PROJECT - DATE 03/08/2014 SHEET 1 OF 1	
<b>FINISH</b> ALUMINUM/SS-304		<b>TITLE</b> NEX FLOW AIR PRODUCTS CORP. 10520 YONCE STREET, UNIT 35B-220, RICHMOND HILL, ON L4C 3C7 TEL.: (416) 410-1313 & FAX: (416) 410-1806 www.nex-flow.com	
<b>THIRD ANGLE PROJECTION</b>		<b>SCALE</b> 1:1	
<b>MANUFACTURING</b> MATERIALS ELECTRICAL		<b>DATE</b> 03/08/2014 <b>SIZE</b> C <b>DWG NO</b> 10006 <b>RELIEF</b> P <b>REV</b> 1	