

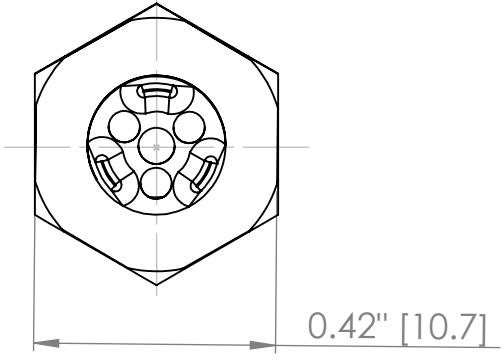
4 3 2 1

F

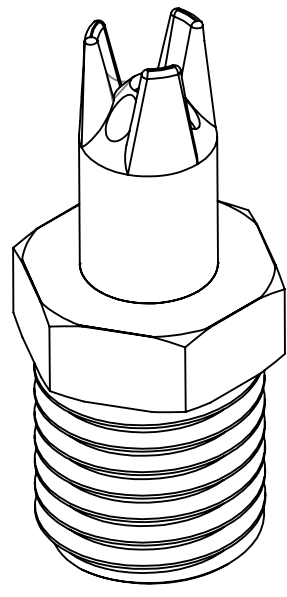
F

E

E



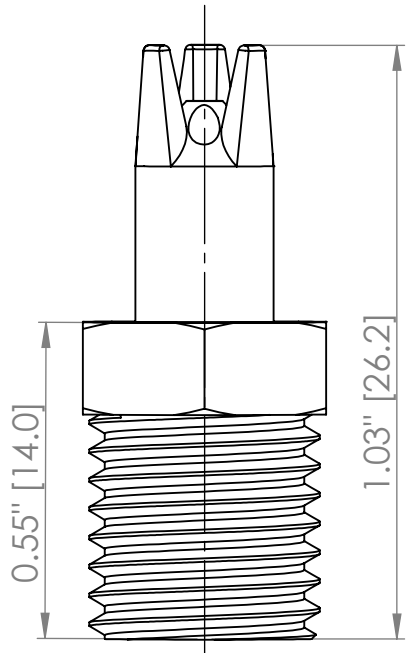
TOP VIEW



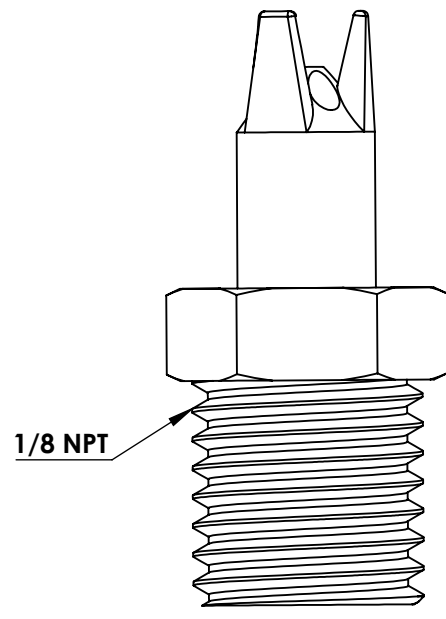
ISOMETRIC VIEW

D

D



FRONT VIEW



RIGHT VIEW

C

C

B

B

UNLESS OTHERWISE SPECIFIED:  
DIMENSIONS ARE IN INCHES  
[MILLIMETERS]

FINISH:

REVISION : A

NEX FLOW AIR PRODUCTS CORP.  
10520 YONGE STREET, UNIT 358-220, RICHMOND HILL, ON L4C 3C7  
TEL:(416) 410-1313 & FAX (416) 410-1806 www.nex-flow.com

	NAME	SIGNATURE	DATE
DRAWN	AFAN		06/12/2022
CHK'D			
APPV'D			
MFG			
Q.A			

TITLE:  
**6mm nozzle with 1/8" adapter**

MATERIAL:  
Polyetheretherketone

DWG NO.  
**47002AMPT**

SCALE:3:1

SHEET 1 OF 1

A

A

4 3 2 1